



Loving music

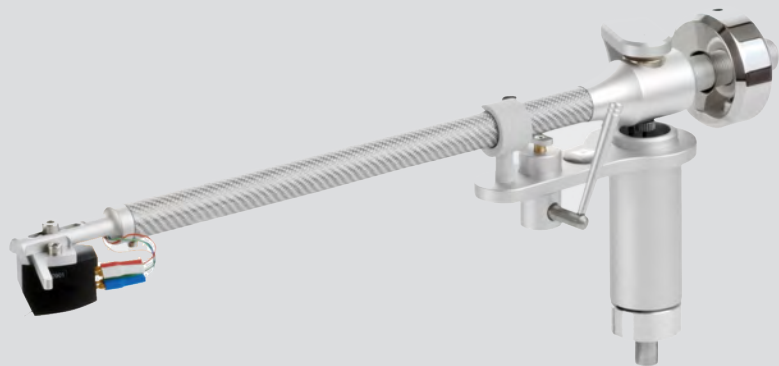
# concept / Verify

User manual

Bedienungsanleitung



Pic. similar /  
Abb. ähnlich



Pic. similar /  
Abb. ähnlich



**User manual** ..... 2 - 17



**Bedienungsanleitung** ..... 18 - 23

Dear **Clearaudio** customer,

Thank you for purchasing the **Clearaudio** *concept / Verify* radial tonearm.

The innovative *concept / Verify* tonearm is using a friction free magnetic bearing technology and is designed to allow a very comfortable and easy set up.

Highest demands and Made in Germany, combined with technology and a timeless design enable the best possible sound enjoyment.

Please read this instruction manual carefully to avoid any damages or loss of warranty. This manual will help you for an easy setup and guarantees the highest pleasure for a long time.

We wish you a lot of enjoyment with your new **Clearaudio** *concept / Verify* tonearm.

**Clearaudio electronic GmbH**



## Safety instructions

### 1. General information

Check the tonearm for any damage before using it. Do not connect the tonearm if damaged!

Never connect the tonearm if it has been dropped or gotten wet, contact your dealer to have the tonearm checked.

Never expose the tonearm to rain or moisture.

The inside of the tonearm is maintenance free. Never open the case or attempt to repair the unit yourself, since this can lead to loss of warranty!

Before using the tonearm for the first time or after a long period of inactivity the lift must be operated approx. 4-5 times to loosen the grease in the tonearm lift to lower the lift bar evenly again.

Not suitable for children! Scope of delivery may contain small parts that can be swallowed.

### 2. Intended use

The *concept / Verify* is a tonearm for playing music and is intended exclusively for use on turntables.

Only use the *concept / Verify* tonearm in accordance with the information provided in the user manual.

### 3. Location of installation

Avoid locations with direct sunlight, temperature fluctuations and high humidity. Likewise, avoid placing electronic devices near heaters, heat lamps, or other devices that produce heat.

The device is designed for operation at room temperature.

No objects with an open flame may be placed on or near the device (burning candles or similar).

### 4. Maintenance

We recommend that you move the tonearm lift at regular intervals to keep the bearing grease supple and to prevent the tonearm from getting stuck during playback if you do not use your **Clearaudio** tonearm for a longer period.

Never use aggressive cleaning agents.

Do not use dry cloths for cleaning as this generates static electricity. Suitable cleaning and care products from **Clearaudio** are available at [www.analogshop.de](http://www.analogshop.de) or from specialist retailers.

Only use a soft cloth with a smooth surface or a soft brush for cleaning.

### 5. Health information

Permanently high volume can lead to various types of hearing damage. Use high volume responsibly!

### 6. Service

The *concept / Verify* tonearm should be repaired during the guarantee period by the manufacturer only, otherwise the warranty claim expires. All **Clearaudio** products should only be serviced by specialist retailer.

If, despite the high production standard, a service is necessary, the *concept / Verify* tonearm must be send to **Clearaudio** through your dealer.

### 7. Transport

Use the original packing material for further transportation of the *concept / Verify*tonearm, otherwise serious damage could occur.

Be sure to pack the device exactly as it was shipped.  
Safe transport is only guaranteed in the original packaging.

Proceed in reverse as described for assembly when packing.

### 8. Disposal



Do not dispose this product together with other waste.  
WEEE Reg. No.: DE26004446

### 9. CE Marking



This electronic product corresponds to the applicable guidelines for obtaining the CE mark.



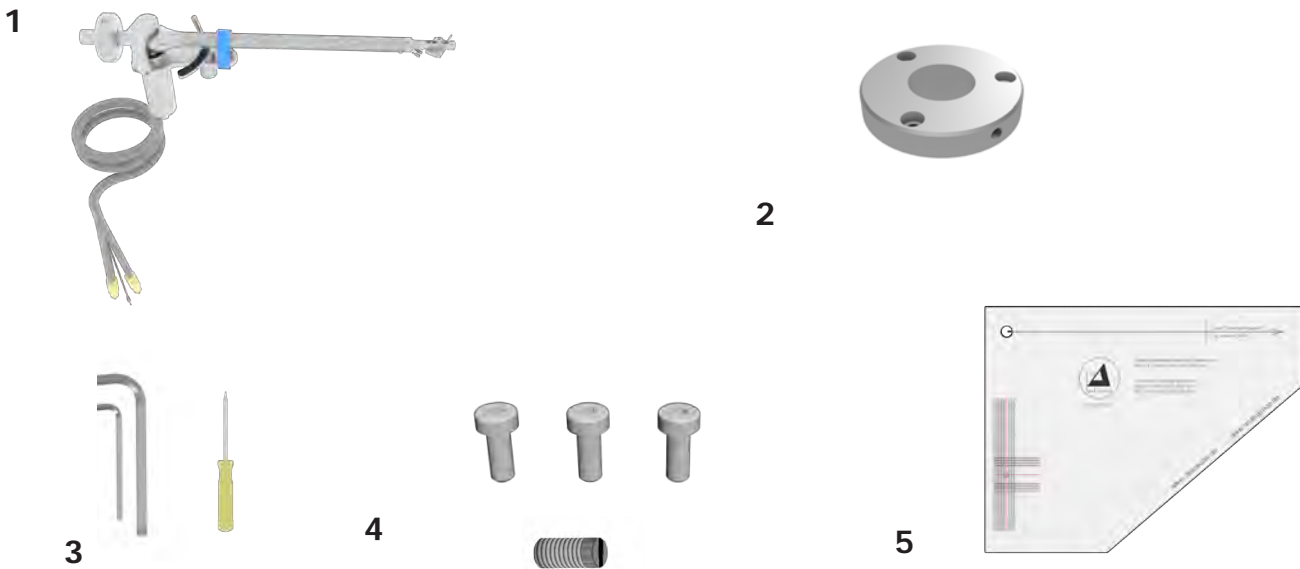
## Contents

<b>1. List of components .....</b>	<b>6</b>
<b>2. Mounting the tonearm base</b>	
2.1 Mounting the tonearm base on the Clearaudio Performance DC or Ovation turntable .....	7
2.2 Mounting the clamping ring on another manufacturers' turntables.....	8
<b>3. Mounting the <i>concept / Verify</i> tonearm.....</b>	<b>9</b>
<b>4. Adjustment of the distance between spindle and pivot point .....</b>	<b>10</b>
<b>5. Adjustment of the tonearm</b>	
5.1 Adjustment of the VTA .....	11
5.2 Alignment and adjustment of the cartridge.....	12
5.3 Adjustment of the tracking force.....	13
5.4 Adjustment of the azimuth.....	14
5.5 Adjustment of the anti-skating .....	15
<b>6. Troubleshooting .....</b>	<b>16</b>
<b>7. Technical data .....</b>	<b>17</b>
<b>Warranty information.....</b>	<b>34 - 35</b>

## 1. List of components

The **Clearaudio** *concept / Verify* tonearm is delivered in a customized packing to ensure its safe transport. Please retain the original packaging for any future transportation and shipping.

Please see the list below to check the contents of your **Clearaudio** *concept / Verify* tonearm.



Pic. 1: List of components

1.	<i>concept / Verify</i> tonearm	5.	Tonearm alignment gauge
2.	Clamping base	6.	Without picture: Additional counterweight: 35.75 g - flat head screw M3 x 8
3.	Hex wrench (#2 /3) Screw driver	7.	Without picture: Warranty card, <b>Clearaudio</b> Quality Card, user manual, return delivery note
4.	Screws: - 3x hex screws M4 x 10 (stainless steel) - 1x grub screw M6 x 8 (stainless steel)		

### Recommended Tools:

- **Clearaudio** Cartridge alignment gauge (Art. No. AC005/IEC)
- **Clearaudio** Weight Watcher touch (Art. No. AC163)
- **Clearaudio** Mini Level Gauge (Art. No. AK001)

This items and more accessories are available through your dealer or at [www.analogshop.de](http://www.analogshop.de).

## 2. Mounting the tonearm base

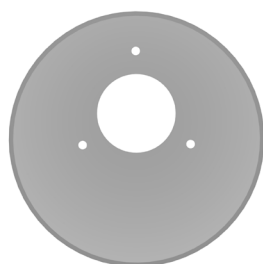
### 2.1 Mounting the tonearm base on the Clearaudio Performance DC or Ovation turntable

Please check if the correct tonearm base is mounted on your turntable (Pic. 2).

If the wrong tonearm base is mounted place the turntable on the edge of a table or similar surface to gain access to the tonearm base from below.

Remove the tonearm base by loosening the six M4 x 35mm screws with a hex wrench on the bottom side of the clamping ring.

Exchange the tonearm base and loosely tighten the screws to keep the tonearm base rotatable. Please ensure the perfect location of the base.



**Pic. 2:** Tonearm base for concept & Performance DC & Ovation  
(Art. No. AC031-4)

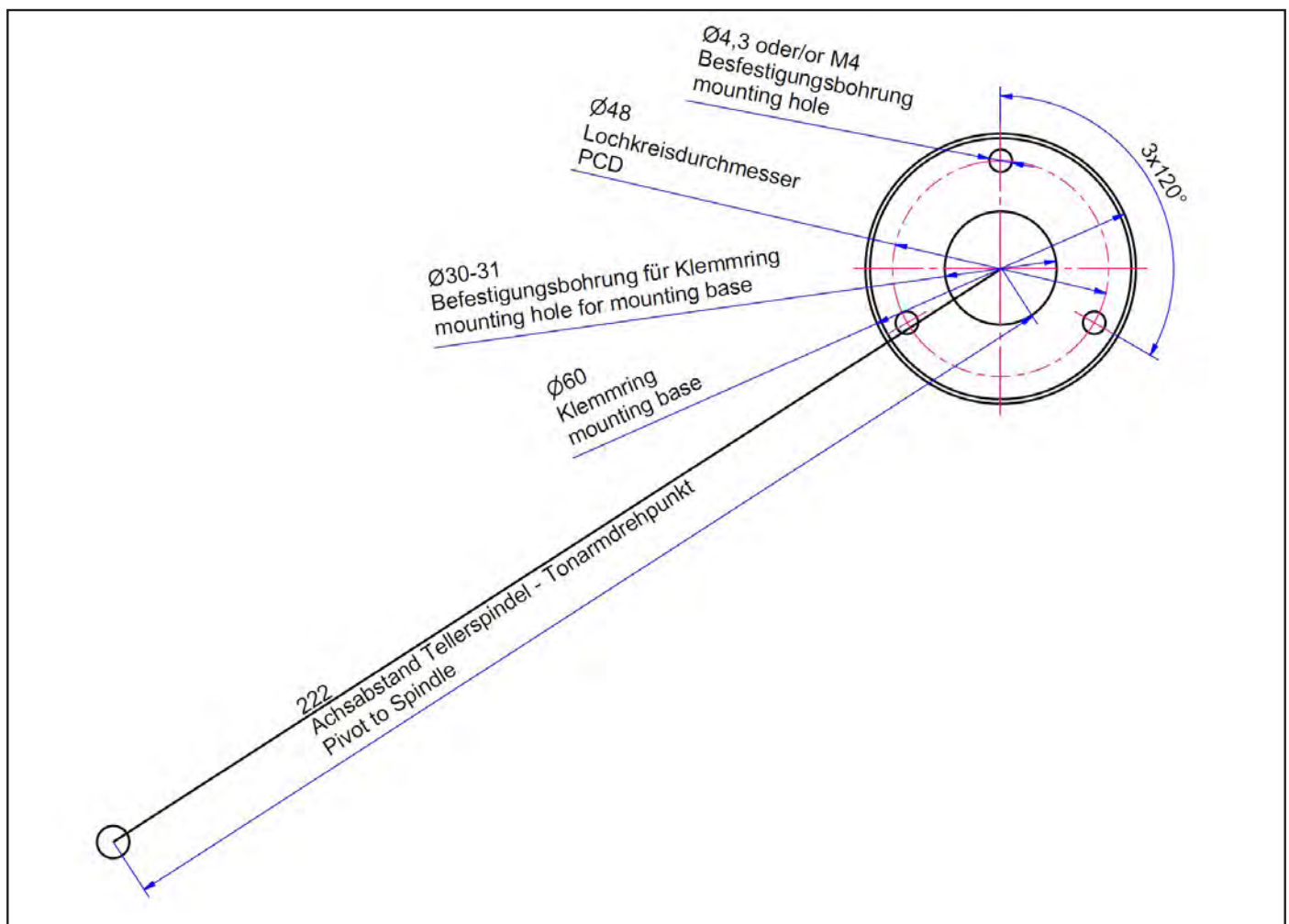
## 2.2 Mounting the clamping ring on another manufacturers' turntables

Drill three holes into the turntable chassis to mount the aluminium clamping ring.

Use the measurements given in the drawing template below to ensure the correct position of the three holes (Pic. 3).

Use a 3.3mm drill for this step. After you have drilled the three holes, thread the holes using an appropriate tap cutter. If the material of the turntable chassis is not suitable for threading, please use a 4.5mm drill for the holes. In this case, you will need longer screws with nuts to fit the tonearm base.

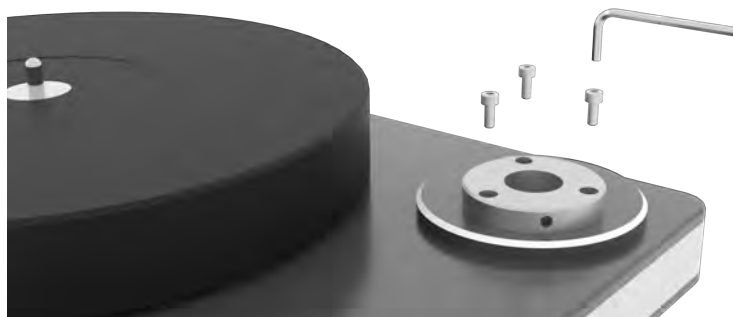
**Please note that this image is not true to scale.**



**Pic. 3:** Drilling template for mounting the tonearm base on a other manufacturers' turntable



### 3. Mounting the *concept* / *Verify* tonearm

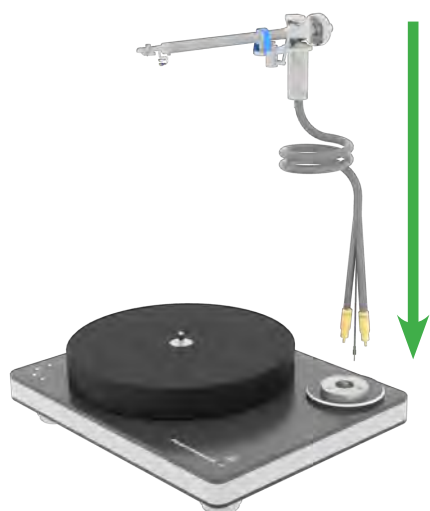


**Pic. 4:** Assembling the clamping base

Take the clamping ring and place it on the recess in the tonearm base.

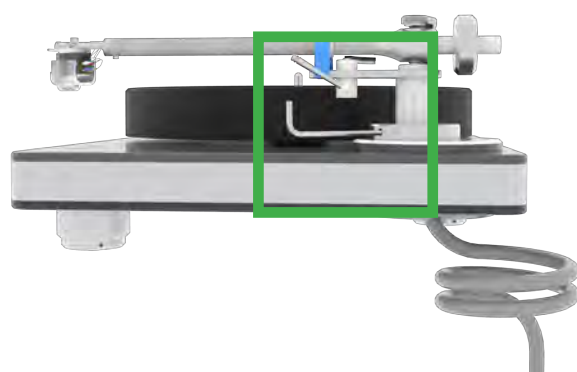
Now you can attach the clamping ring to the tonearm base with the 3 supplied M4 x 10 screws.

Make sure that the side hole of the clamping ring remains accessible (see Pic. 4).



**Pic. 5:** Mounting the tonearm

First insert the tonearm cable and then the tonearm foot of the *concept* / *Verify* tonearm into the hole of the clamping ring (Pic. 5).



**Pic. 6:** Locking the tonearm

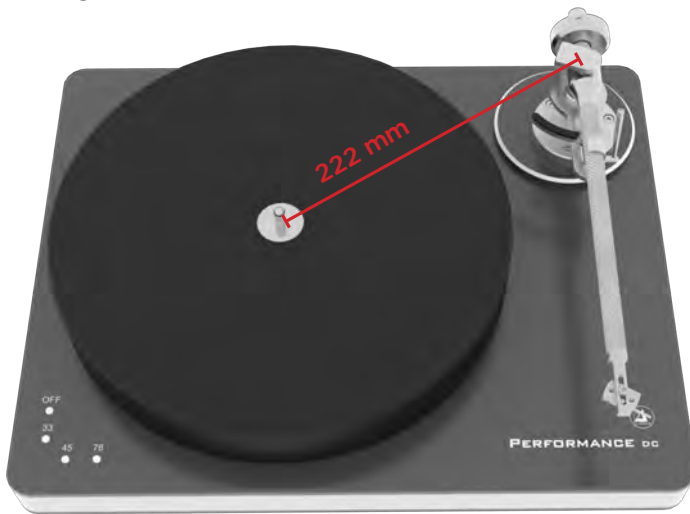
Now fix the tonearm with the screws and the hex wrench. Do not over-tighten for later adjustments (Pic. 6)!

## 4. Adjustment of the distance between spindle and pivot point

We recommend to use the **Clearaudio** alignment gauge (Art. No. AC005/IEC, also available from [www.analogshop.de](http://www.analogshop.de)) for the exact setting of the tonearm pivot point.

Make sure that the distance between spindle and the pivot point of the tonearm is exactly 222mm. You can adjust the distance by rotating the tonearm base.

Please tighten the tonearm base and check the measurement again after adjustment.



**Pic. 7:** Distance from pivot to stylus

## 5. Adjustment of the tonearm

The following settings require to mount the cartridge on the headshell. Always follow the cartridge manufacturer's instructions.

**Leave the stylus protector on your cartridge to avoid any damages!**



Now you can connect the respective signal cable with the matching color pins of the cartridge.

Please note the following colour coding:

- Red:** right channel / R+
- Green:** right channel / R-
- White:** left channel / L+
- Blue:** left channel / L-



Connect the pins of your cartridge to the jacks of the headshell or tonearm cable, taking care not to use too much force.

Use suitable precision pliers or tweezers for assistance if necessary.

**Pic. 8:** Cartridge mounting

## 5.1 Adjustment of the VTA

The tonearm remains loose in the clamping ring and is not screwed tight. Now place a record or the **Clearaudio** alignment gauge (Art. No. AC005/IEC) on the turntable and remove the stylus protector from your cartridge.

Make sure the tracking force is roughly adjusted to avoid damage to the cartridge.

**Please be extremely careful during the following steps!  
Never move the cartridge in the alignment gauge while it is lowered.**

Use the lift to lower the tonearm and check if the tonearm tube is parallel to the platter.

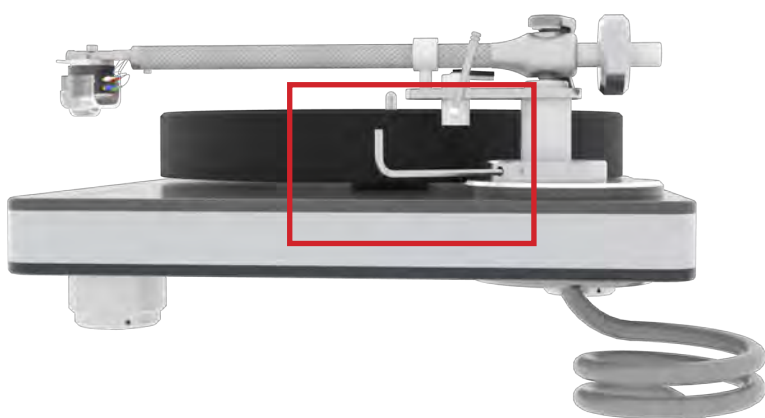
The tonearm tube should not touch the lift bracket, but the needle must rest on the record or the alignment gauge.

Put the tonearm tube back in the rest position if the tonearm tube is not parallel and shows a slight incline.

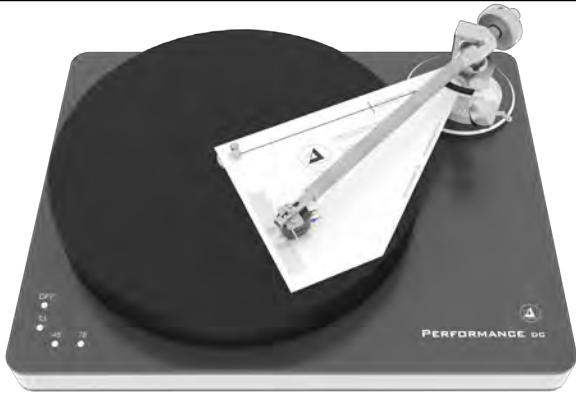
Now carefully lower/raise the entire tonearm in the clamping ring until the tonearm tube is parallel to the platter.

Hand-tighten the clamping ring while the tonearm is in this position.

Put the tonearm back in the rest position holder and add the stylus protector if the position is still correct.



**Pic. 9:** Fixing the tonearm height

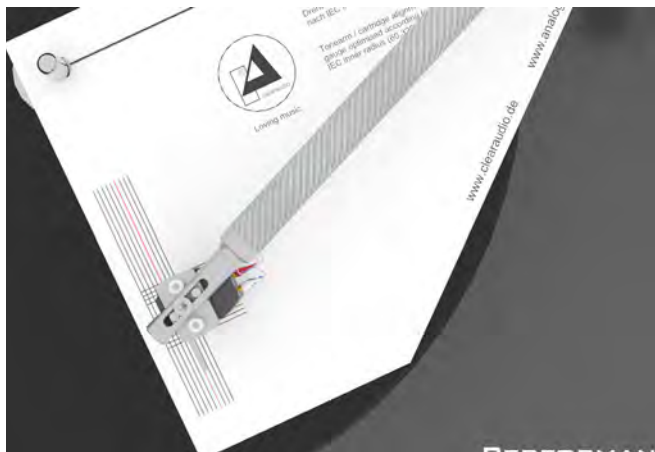


Pic. 10: Alignment of the tonearm

## 5.2 Alignment and adjustment of the cartridge

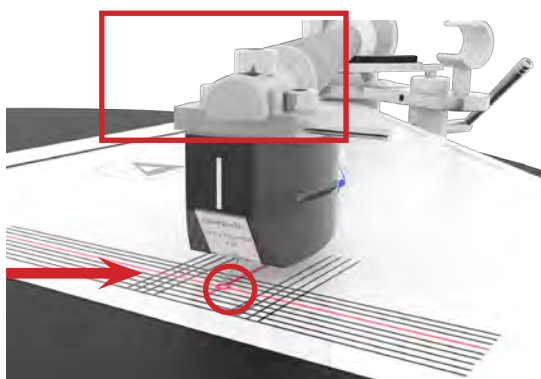
Use the adjustment template, included in the scope of the delivery for the final tonearm and cartridge adjustment.

Place it directly on the turntable (without record) and align it with the arrow pointing toward the tonearm pivot point (Pic. 10).



Pic. 11: The tonearm tube must be absolutely parallel

Take the tonearm out of the rest position and align it in the area of the cross lines. Lower the tonearm and check the alignment.



Pic. 12: Stylus tip on reference point

The cartridge body must be aligned in the template grid and the needle tip should be located in the cross lines.

Also, the side and front edges of the housing have to be parallel to the grid lines.

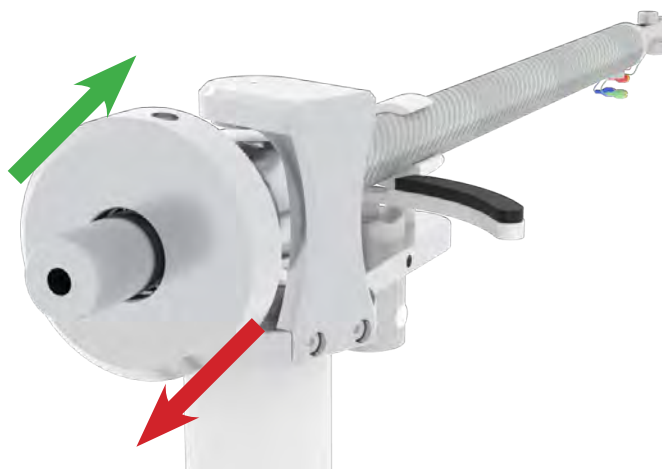
To correct the adjustment, loosen the screws of the cartridge to move the cartridge in the headshell.

Re-check the setting again after you have tightened the screws.

### 5.3 Adjustment of the tracking force

Turn the counter weight at the end of the tonearm to increase or lower the tracking force.

**Caution:** Please hold the tonearm tube while rotating the counterweight to avoid any damages.



**Pic. 13:** Adjustment of the tracking force

**Red arrow (to the end of the tonearm)**  
= lower tracking force -> turn the counter weight anti-clockwise (left)

**Green arrow (to the beginning of the tonearm)**  
= more tracking force -> turn the count weight clockwise (right)

Please follow the instructions of the respective cartridge manufacturer.

We recommend using the **Clearaudio** „Weight Watcher touch“ digital cartridge scale (Art. No. AC163, also available at [www.analogshop.de](http://www.analogshop.de)) for the correct setting.

## 5.4 Adjustment of the azimuth

The azimuth is the angle of the cartridge stylus to the record surface. Viewed from the front, the cartridge needle has to be vertical to the record.

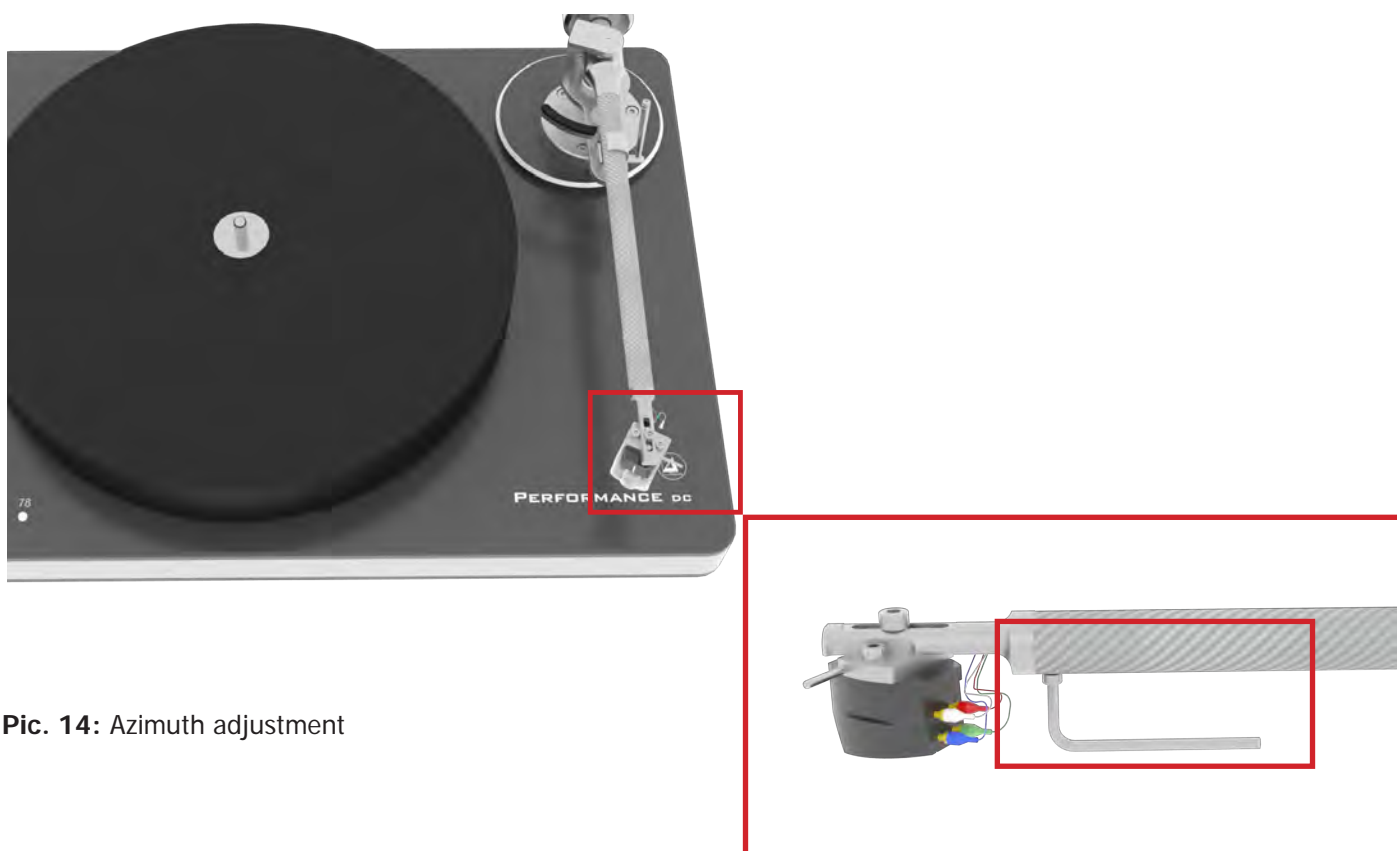
**Please note: The azimuth is already set at the factory.**

Lower the cartridge onto the record surface and check the position of the needle if you still want to optimize the azimuth.

Please proceed as following to change the azimuth:  
Loosen the screw (hex wrench #2) on the bottom side of the tonearm tube near the headshell.  
Now you can adjust the azimuth by turning the headshell in the tonearm tube.

Carefully tighten the small hex screw again without changing the previously selected position.

We recommend the "Mini Level Gauge" from **Clearaudio** (Art.No.: AK001; also available from [www.analogshop.de](http://www.analogshop.de)) to check the adjustment.

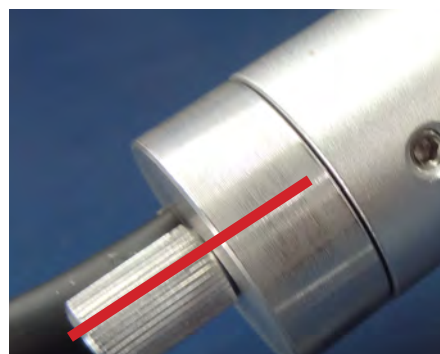
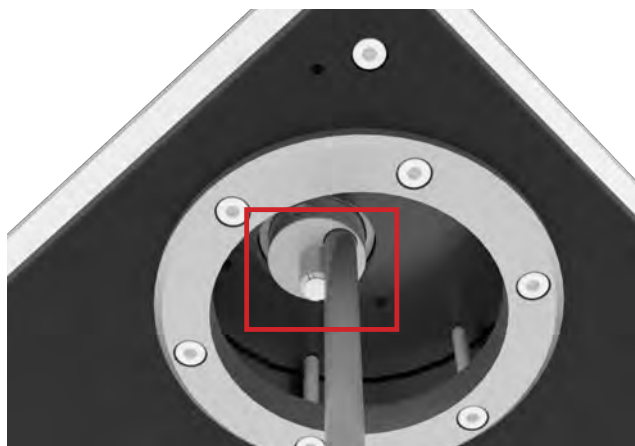


Pic. 14: Azimuth adjustment

## 5.5 Adjustment of the anti-skating

The anti-skating is already preset by **Clearaudio**.

Use the adjusting screw on the underside of the tonearm to adjust the anti-skating. This setting is marked with a line on your tonearm (viewed from below).



**Pic. 15:** Adjustment of the anti-skating

You can change the anti-skating as follows:

**Turn clockwise (max. 5 turns)**

**= stronger anti-skating**

**Turn counterclockwise (max. 5 turns)**

**= weaker anti-skating**

We recommend the **Clearaudio** Trackability Test Record available from [www.analogshop.de](http://www.analogshop.de) or from your specialist retailer for a professional and perfect anti-skating setting.

**The tonearm adjustment is now complete.**

We recommend to re-check all settings again and correct them if necessary before connecting the tonearm to your phono pre-amplifier.

We hope you enjoy your new *concept / Verify* tonearm.  
Your **Clearaudio** team

## 6. Troubleshooting

First check the possible causes to rule out incorrect operation if you have a problem with your *concept / Verify* tonearm.

Please contact your dealer if the error persists!

**Never try to open the unit and/or repair it yourself, this will void the warranty!**

Error	Cause	Measure
<b>Needle bounces or slides across record</b>	Is the record or the stylus dirty or damaged?	Clean the record / or the cartridge. <b>Clearaudio</b> offers many helpful accessories for care and cleaning. In the event of damage, we recommend an assessment by a specialist and, if necessary, an exchange.
	Has the tracking force been set too high?	Adjust the tracking force. Use only a suitable gauge! For example <b>Clearaudio</b> „Weight Watcher touch“ or „Smart Stylus Gauge“.
	Is the record deformed or scratched?	Use a record clamp or replace the record.
	Is the turntable leveled?	Check the alignment of the turntable and adjust if necessary.
<b>Tonearm lift does not lower or lowers very slowly</b>	The tonearm has not been used for a long time, which means that the grease in the tonearm lift can harden and lower with difficulty.	Operate the lift about 4-5 times to loosen the grease in the tonearm lift and the lift bar will lower evenly again.



## 7. Technical data

<b>Construction details:</b>	Radial tonearm, with friction free magnetic bearing technology.
<b>Material:</b>	Aluminium (silver), tonearm tube made of black aluminium ( <i>concept</i> ) or silver carbon ( <i>Verify</i> ).
<b>Cartridge balance range:</b>	2.5g - 17.0g
<b>Overhang:</b>	17.56mm
<b>Total length:</b>	305.00mm
<b>Effective length:</b>	239.56mm
<b>Mounting distance (tonearm pivot to spindle):</b>	222.00mm
<b>Offset angle:</b>	24.16°
<b>Wiring:</b>	1.1m <b>Clearaudio</b> Direct Wire PLUS terminated with RCA.
<b>Weight:</b>	<i>concept</i> : approx. 450g (incl. counterweight) <i>Verify</i> : approx. 440g (incl. counterweight)
<b>Manufacturer's warranty:</b>	2 years*

\* Provided that the warranty card is correctly completed and returned to **Clearaudio**, or your product is registered online at <https://clearaudio.de/en/service/registration.php>, within 14 days of purchase.

Sehr geehrte **clearaudio** Kundin, sehr geehrter **clearaudio** Kunde,

Sie haben sich für einen *concept / Verify* Tonarm entschieden, ein hochwertiges Produkt der **clearaudio electronic GmbH**.

Wir bedanken uns bei Ihnen für das uns entgegengebrachte Vertrauen.

Der innovative *concept / Verify* Tonarm verfügt über eine reibungsfreie Magnetlagerung und ist so designed, dass Sie diesen sehr einfach und komfortabel montieren können.

Um alle Vorteile des *concept / Verify* Tonarms nutzen zu können, lesen Sie bitte diese Bedienungsanleitung aufmerksam durch.

Alle Hinweise dienen dem Ausschöpfen der vollen Klangeigenschaften und bewahren Sie vor Fehlbedienungen.

Wir wünschen Ihnen viel Freude mit Ihrem neuen **clearaudio** *concept / Verify* Tonarm.

**clearaudio electronic GmbH**



## Sicherheitshinweise

### 1. Allgemeine Hinweise

Überprüfen Sie den Tonarm vor der Inbetriebnahme auf vorhandene Schäden. Ist der Tonarm beschädigt, sollten Sie diesen nicht anschließen!

Schließen Sie den Tonarm niemals an, wenn er heruntergefallen oder nass geworden ist, kontaktieren Sie Ihren Händler, um den Tonarm überprüfen zu lassen.

Setzen Sie den Tonarm niemals Regen oder Feuchtigkeit aus.

Das Innere des Tonarms ist wartungsfrei, öffnen Sie niemals das Gehäuse oder versuchen Sie das Gerät selbst zu reparieren. Dies führt zu Garantieverlust!

Vor dem erstmaligen Benutzen oder nach längerem Stillstand muss der Lift ca. 4-5x betätigt werden, damit sich das Fett im Tonarmlift lösen kann und der Liftbügel wieder gleichmäßig abgesenkt wird.

Nicht für Kinder geeignet! Lieferumfang kann verschluckbare Kleinteile enthalten.

### 2. Bestimmungsgemäßer Gebrauch

Der *concept / Verify* ist ein Tonarm zur Musikwiedergabe und zur ausschließlichen Verwendung auf Plattenspielern bestimmt.

Der bestimmungsgemäße Gebrauch des *concept / Verify* Tonarms ist die Verwendung in Übereinstimmung mit den in der Bedienungsanleitung bereitgestellten Informationen.

### 3. Aufstellungsort

Vermeiden Sie Aufstellungsorte mit direkter Sonneneinstrahlung, Temperaturschwankungen sowie hohe Luftfeuchtigkeit. Ebenso sollten Sie Elektrogeräte nicht in der Nähe von Heizungen, Heizlampen oder anderen Geräten platzieren die Wärme Produzieren.

Das Gerät ist für den Betrieb in beheizten Räumen konzipiert.

Auf dem Gerät dürfen keine Gegenstände mit offener Flamme aufgestellt werde (brennende Kerzen o.Ä.).

### 4. Pflege

Falls Sie Ihren **clearaudio** Tonarm längere Zeit nicht benutzen, empfehlen wir Ihnen den Tonarmlift in regelmäßigen Abständen zu bewegen, um das Lagerfett geschmeidig zu halten und ein mögliches Haken des Tonarms beim Abspielen zu vermeiden.

Verwenden Sie auf keinen Fall aggressives Reinigungsmittel.

Verwenden Sie zum Reinigen keine trockenen Tücher, da dies elektrostatische Aufladung erzeugt. Geeignete Reinigungs- und Pflegemittel von **clearaudio** sind über [www.analogshop.de](http://www.analogshop.de) oder über den Fachhandel erhältlich.

Verwenden Sie zur Reinigung nur ein weiches Tuch mit glatter Oberfläche bzw. einen weichen Pinsel.

### 5. Gesundheitshinweise

Dauerhaft hohe Lautstärke kann zu diversen Schädigungen des Gehörs führen. Gehen Sie verantwortungsbewusst mit hohen Lautstärken um!

### 6. Service

Der *concept / Verify* darf während der Garantiezeit nur vom Hersteller repariert werden, ansonsten erlischt der Garantieanspruch. Der Service für alle **clearaudio** Produkte sollte ausschließlich beim Fachhändler erfolgen.

Sollte trotz des hohen Fertigungsstandards ein Service erforderlich werden, muss die **clearaudio concept / Verify** über Ihren Fachhandel an **clearaudio** eingeschickt werden.

### 7. Transport

Beim Transport des **clearaudio concept / Verify** Tonarms ist stets die Originalverpackung zu verwenden. Achten Sie darauf, das Gerät genauso zu verpacken, wie es ausgeliefert wurde.

Nur in originalverpacktem Zustand ist ein sicherer Transport gewährleistet. Beim Verpacken umgekehrt verfahren, wie bei dem Aufbau und der Inbetriebnahme beschrieben.

### 8. Entsorgung



Dieses Produkt darf nicht zusammen mit Restmüll entsorgt werden.  
WEEE Reg.Nr.: DE26004446

### 9. CE-Markierung



Dieses Elektronikprodukt entspricht den gültigen Richtlinien zur Erlangung des CE-Zeichens.



## Inhaltsverzeichnis

<b>1. Verpackungsübersicht .....</b>	<b>22</b>
<b>2. Befestigung der Tonarmbasis</b>	
2.1 auf einem clearaudio Performance DC / Ovation Laufwerk .....	23
2.2 Montage des Aluminium-Klemmrings auf einem Laufwerk anderer Hersteller.....	24
<b>3. Montage des <i>concept</i> / <i>Verify</i> Tonarms .....</b>	<b>25</b>
<b>4. Einstellung des Achsabstands von Tellerspindel zu Tonarmdrehpunkt...26</b>	
<b>5. Einstellung des Tonarms</b>	
5.1 Einstellung des VTA.....	27
5.2 Korrekte Ausrichtung und Einstellung des Tonabnehmers.....	28
<b>5.3 Einstellen des Auflagegewichts .....</b>	<b>29</b>
5.4 Einstellung des Azimuth.....	30
5.5 Einstellung des Antiskating.....	31
<b>6. Fehlerbehebung .....</b>	<b>32</b>
<b>7. Technische Daten.....</b>	<b>33</b>
<b>Garantieinformationen.....</b>	<b>34 - 35</b>

## 1. Verpackungsübersicht

Der **clearaudio** *concept / Verify* Tonarm wird in einer speziellen Verpackung geliefert, die einen sicheren Transport gewährleistet. Bitte heben Sie die Verpackung für Transportzwecke unbedingt auf.

Bitte kontrollieren Sie anhand der unten aufgeführten Liste den Lieferumfang Ihres neu erworbenen Tonarms. Dieser besteht aus:

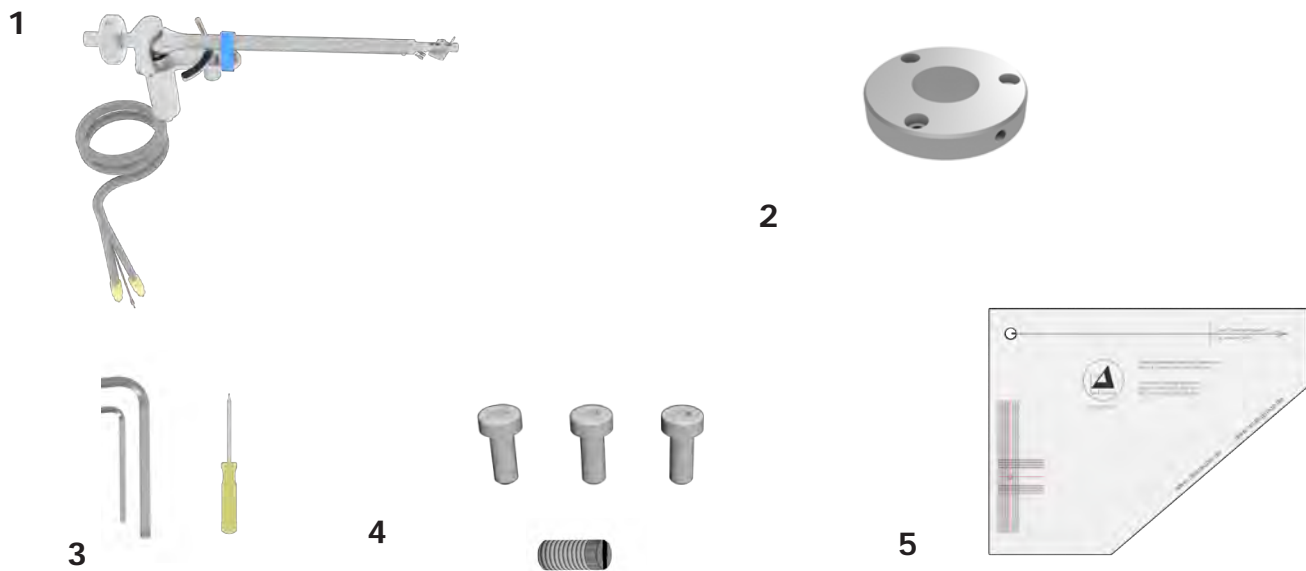


Abb. 1: Verpackungsübersicht

1.	<i>concept / Verify</i> Carbon	4.	Schrauben: - 3 x Innensechskantschrauben M4 x 10 DIN912 - 1 x Madenschrauben M6 x 8 V2A (Edelstahl)
2.	Klemmring	5.	Tonarmeinstellschablone
3.	Innensechskantschlüssel: - 3 mm - 2 mm Schraubendreher	6.	Bedienungsanleitung, Qualitäts- und Garantiekarte, Rücklieferschein (ohne Abbildung)

### Empfohlenes Zubehör:

- **clearaudio** Cartridge alignment gauge Art. Nr. AC005/IEC;
- **clearaudio** Weight Watcher touch Art. Nr. AC163;
- **clearaudio** Mini Level Gauge Art. Nr. AK001

Diese Produkte und viele weitere Zubehörartikel sind erhältlich über unseren Fachhandel oder unter [www.analogshop.de](http://www.analogshop.de).

## 2. Befestigung der Tonarmbasis

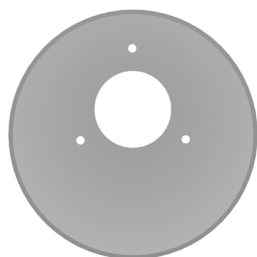
### 2.1 Befestigung der Tonarmbasis auf einem clearaudio Performance DC / Ovation Laufwerk

Überprüfen Sie zunächst, ob die korrekte Tonarmbasis zur Montage des *concept / Verify* Tonarmes auf Ihrem Laufwerk befestigt ist (Abb. 2).

Ist ein Austausch der Tonarmbasis nötig, stellen Sie das Laufwerk z.B. über die Ecke eines Tisches damit die Tonarmbasis von unten frei zugänglich ist. Nehmen Sie die vorherige Tonarmbasis ab, indem Sie mithilfe eines Innensechskantschlüssels die sechs M4 x 35 Schrauben auf der Unterseite des Klemmrings lösen.

Schrauben Sie die korrekte Tonarmbasis wieder locker im Gewinde fest, damit die Tonarmbasis sich weiterhin zur Feinjustage drehen lässt.

Achten Sie auf passgenauen Sitz und planebene Montageflächen.



**Abb. 2:** Tonarmbasis für Performance DC & Ovation  
(Art. Nr. AC031-4)

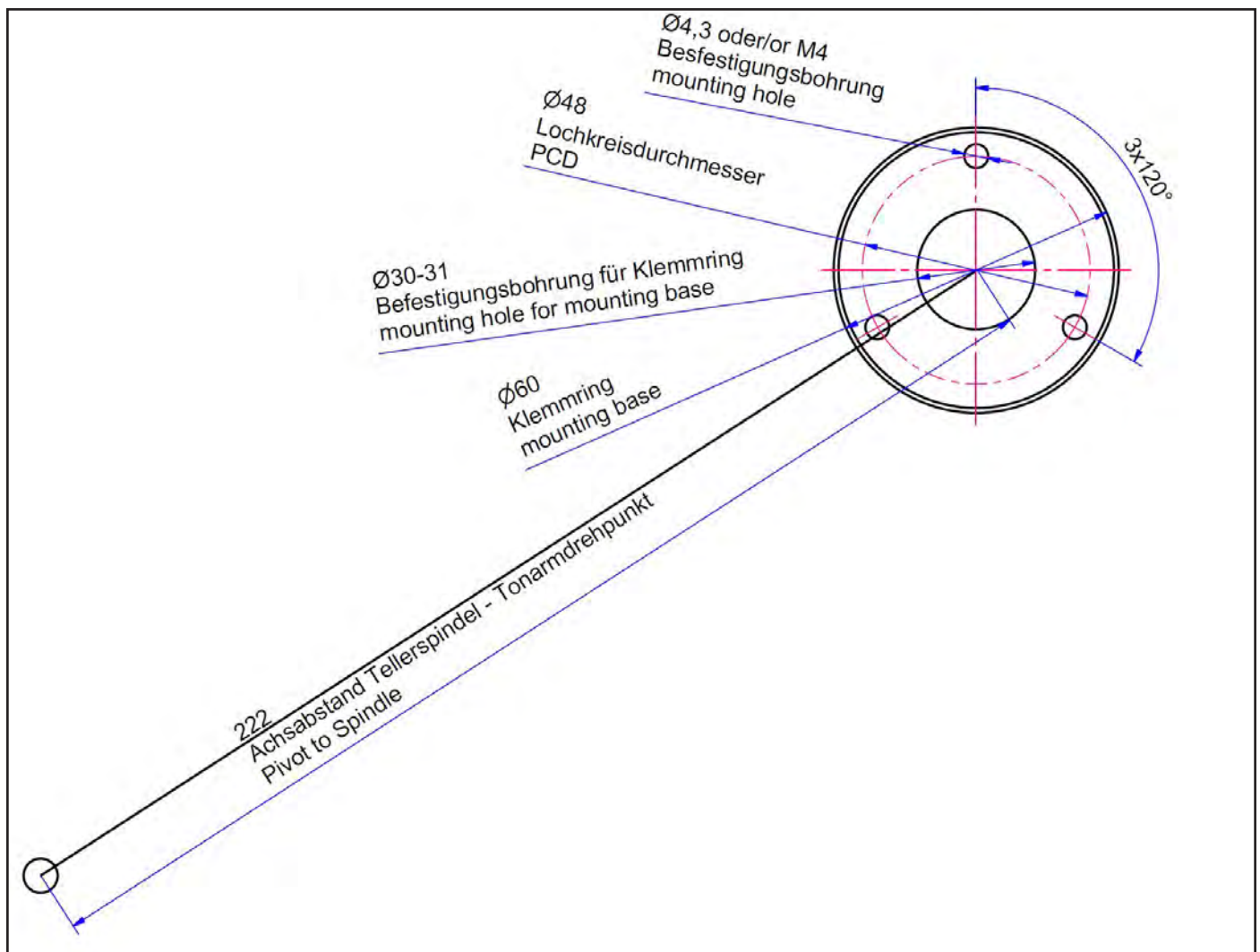
## 2.2 Montage des Aluminium-Klemmrings auf einem Laufwerk anderer Hersteller

Um den Aluminium-Klemmring auf dem Laufwerkchassis anbringen zu können, müssen erst die Bohrungen zur Befestigung angebracht werden. Die Maße zum Anzeichnen der exakten Bohrlochabstände entnehmen Sie bitte der unten abgebildeten Bohrschablone (siehe Abb. 3).

Verwenden sie für die Bohrungen einen 3,3 mm HSS-Spiralbohrer. Anschließend schneiden Sie in die Bohrungen mit einem Gewindebohrer jeweils M4-Gewinde.

Ist das Material des Laufwerkchassis nicht dazu geeignet, es mit Gewinden zu versehen, verwenden Sie bitte einen 4,5 mm HSS-Spiralbohrer, um die Bohrungen durch das Material zu bohren. In diesem Fall können Sie den Klemmring mit handelsüblichen Schrauben in der entsprechenden Länge und den dazu passenden Muttern befestigen (V2A-Inbus).

**Bitte beachten Sie, dass diese Abbildung nicht maßstabgetreu ist.**



**Abb. 3:** Bohrschablone für die Montage des Klemmrings auf einem Laufwerk eines anderem Herstellers



### 3. Montage des *concept / Verify* Tonarms

Nehmen Sie den Klemmring aus der Verpackung und legen sie diesen auf die Aussparung der Tonarmbasis.

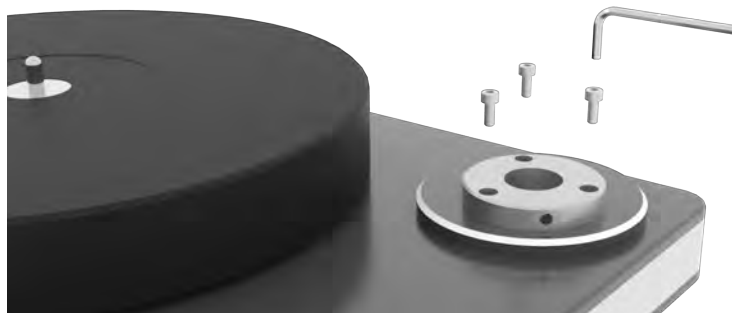


Abb. 4: Befestigung des Klemmrings

Nun können Sie den Klemmring mit den 3 mitgelieferten Schrauben M4x10 auf der Tonarmbasis befestigen.

Achten Sie hierbei darauf, dass die seitliche Bohrung des Klemmrings (sh. Abb. 4) zugänglich bleibt.

Führen Sie erst das Tonarmkabel und dann den Tonarm-Fuß des *concept / Verify* Tonarms in die Bohrung des Klemmrings (Abb. 5).

Bitte führen Sie nun vorsichtig den Tonarmfuß durch die aufgeschraubte Basis und den Klemmring (Abb.5).

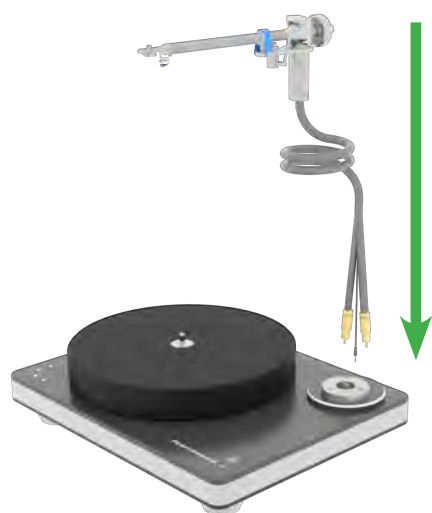


Abb. 5: Einsetzen des Tonarm

Befestigen Sie den Tonarm durch vorsichtiges Anziehen der Schrauben seitlich im Klemmring.

Ziehen Sie nur so fest an, dass Sie die Schrauben zu weiteren Einstellungen wieder leicht lösen können.

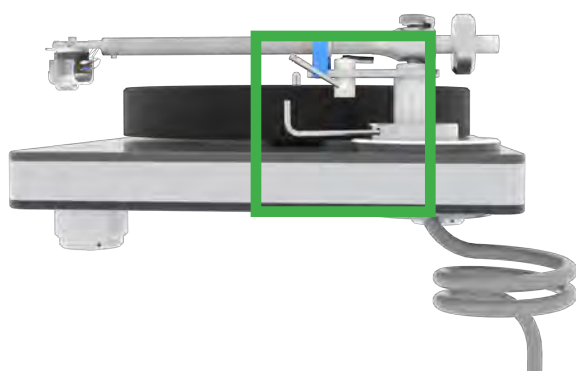


Abb. 6: Befestigen des Tonarms

## 4. Einstellung des Achsabstands von Tellerspindel zu Tonarmdrehpunkt

Zur exakten Einstellung des Drehpunktes des Tonarms empfehlen wir die **clearaudio** Drehtonarm-Einstellschablone/IEC (Art.Nr. AC005/IEC, auch erhältlich über [www.analogshop.de](http://www.analogshop.de))!

Achten Sie darauf, dass der Abstand der Spindel zum Drehpunkt des Tonarms **exakt 222 mm betragen muss** (siehe Abb. 7.)!

Den Abstand können Sie durch Drehen der Tonarmbasis einstellen.

Bitte schrauben Sie die Tonarmbasis anschließend wieder fest und prüfen Sie das Maß nochmals.

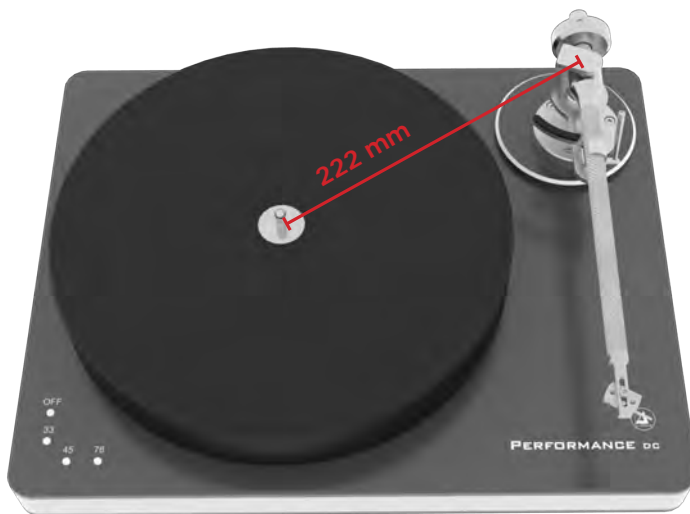


Abb. 7: Abstand der Spindel zum Drehpunkt des Tonarms

## 5. Einstellung des Tonarms



Die nachfolgenden Einstellungen des Tonarmes erfordern die Montage des Tonabnehmersystems auf dem Headshell. Befolgen Sie hierzu die Anweisungen des Tonabnehmer-Herstellers.

**Belassen Sie den Nadelschutz auf Ihrem Tonabnehmersystem!**

Verbinden Sie das jeweilige Signalkabel mit dem farblich passenden Pin des Tonabnehmersystems.

Beachten Sie dabei folgende Farbcodierung:



<b>Rot:</b>	rechter Kanal / R+
<b>Grün:</b>	rechter Kanal / R-
<b>Weiß:</b>	linker Kanal / L+
<b>Blau:</b>	linker Kanal / L-

Abb. 8: Montage des Tonabnehmers

Verbinden Sie ohne große Krafteinwirkung die Anschlussstifte Ihres Tonabnehmers mit den Buchsen des Headshell oder Tonarm-Kabels.

Falls nötig können Sie eine geeignete Präzisionszange oder Pinzette zur Hilfestellung verwenden.

## 5.1 Einstellung des VTA

Der Tonarm bleibt weiterhin lose im Klemmring und wird nicht festgeschraubt.

Legen Sie nun eine Schallplatte oder die **clearaudio** Drehtonarm-Einstellschablone/IEC (Art.Nr. AC005/IEC, auch erhältlich über [www.analogshop.de](http://www.analogshop.de)) auf den Plattenteller und entfernen Sie den Nadelschutz Ihres Tonabnehmers.

Achten Sie darauf, dass das Auflagegewicht grob voreingestellt ist um den Tonabnehmer nicht zu beschädigen.

Bitte gehen Sie während der folgenden Schritte äußerst vorsichtig vor!

Bewegen Sie niemals den Tonabnehmer in der Justageschablone während dieser abgesenkt ist.

Senken Sie den Tonarm mithilfe des Lifts ab und überprüfen Sie, ob das Tonarmrohr parallel zur Platte steht.

Das Tonarmrohr sollte nicht den Liftbügel berühren, aber die Nadel muss auf der Schallplatte oder IEC-Schablone aufliegen.

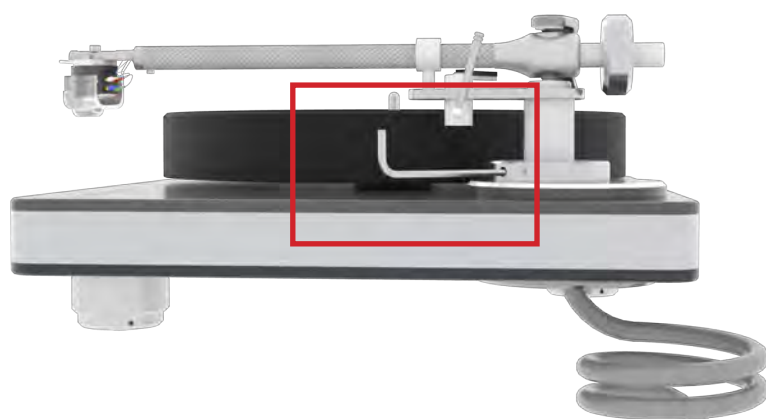
Steht das Tonarmrohr nicht parallel, sondern zeigt eine leichte Neigung, setzen Sie das Tonarmrohr zurück in die Ruheposition.

Heben/Senken Sie nun den gesamten Tonarm vorsichtig im Klemmring auf/ab und überprüfen Sie erneut die Parallelität.

In dieser Position wird der Tonarm nun im Klemmring handfest fixiert (Abb. 9).

Nach Fixieren können Sie die Einstellung nochmals überprüfen und gegebenenfalls korrigieren.

Ist diese unverändert, können Sie den Tonarm wieder in die Halterung für die Ruheposition setzen und den Nadelschutz wieder aufsetzen.



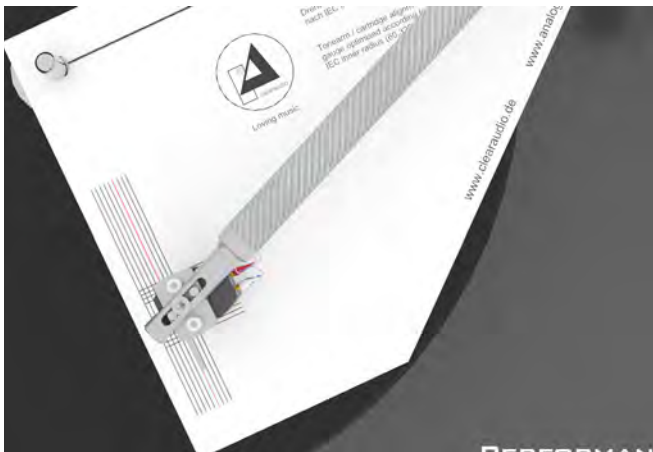
**Abb. 9:** Fixieren der Tonarmhöhe

## 5.2 Korrekte Ausrichtung und Einstellung des Tonabnehmers



Zur entgeltigen Tonarm- und Tonabnehmerjustage benötigen Sie die ebenfalls im Lieferumfang enthaltene Einstellschablone. Platzieren Sie diese direkt auf den Plattenteller und richten Sie diese so aus, dass der Pfeil auf den Tonarmdrehpunkt zeigt (Abb. 10).

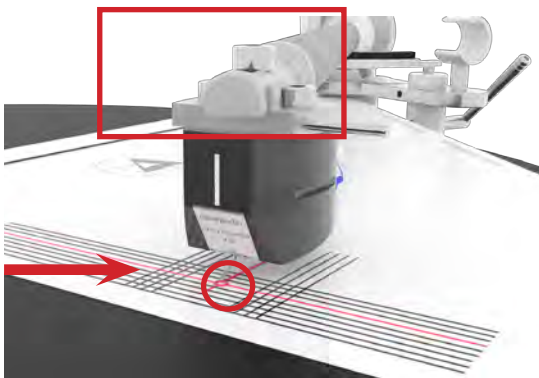
Abb. 10: Ausrichten des Tonarmes



Entnehmen Sie den Tonarm aus der Ruheposition und richten Sie diesen im Bereich des Fadenkreuzes aus.

Senken Sie den Tonarm ab und überprüfen Sie die Ausrichtung.

Abb. 11: Parallelität des Tonarmes



Der Tonabnehmer-Körper muss im Raster der Schablone so ausgerichtet werden, dass die Nadelspitze im Fadenkreuz sitzt und die seitlichen und vorderen Gehäusekanten parallel zu den Rasterlinien (Abb. 11) verlaufen.

Zur Korrektur müssen die Schrauben des Tonabnehmers etwas gelöst werden, damit der Tonabnehmer im Headshell beweglich ist (Abb. 11). Überprüfen Sie die Einstellung nochmals, nachdem Sie die Schrauben fixiert haben!

Abb. 12: Korrekte Position des Abtastdiamanten

### 5.3 Einstellen des Auflagegewichts

Zur Einstellung der Auflagekraft muss das Gegengewicht am Ende des Tonarmes gedreht werden.

**Achtung:** Bitte halten Sie den Tonarm am Tonarmrohr fest, während Sie das Gegengewicht drehen, um Schäden zu vermeiden!

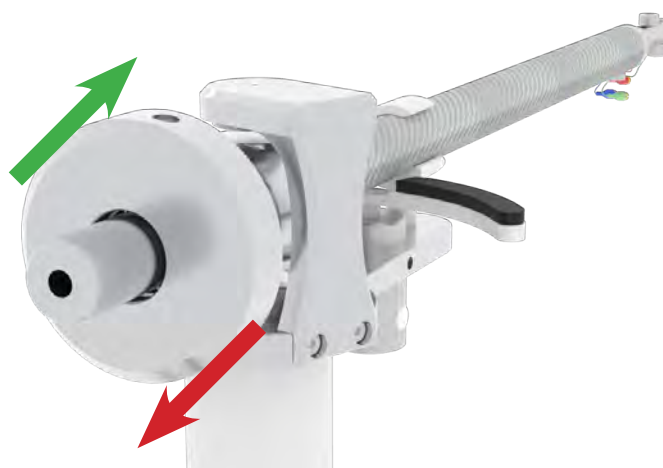


Abb. 13: Einstellung der Auflagekraft

**Roter Pfeil (Verschiebung Richtung Tonarmende)**

**= weniger Auflagekraft -> Gegengewicht gegen Uhrzeigersinn drehen (links)**

**Grüner Pfeil (Verschiebung Richtung Tonarmanfang)**

**= mehr Auflagekraft -> Gegengewicht im Uhrzeigersinn drehen (rechts)**

Stellen Sie die korrekte Auflagekraft Ihres Tonabnehmers laut der Herstelleranleitung ein.

Zur Überprüfung des Auflagegewichts empfehlen wir die digitale Tonabnehmerwaage „Weight Watcher touch“ von **clearaudio** (Art. Nr.: AC163; auch erhältlich über [www.analogshop.de](http://www.analogshop.de)).

### 5.4 Einstellung des Azimuth

Der Azimuth bezeichnet den Winkel, den die Nadel des Tonabnehmersystems - von vorne betrachtet - zur Schallplatte einnimmt. Die Nadel sollte senkrecht zur Platte stehen.

**Bitte beachten Sie: Der Azimuth ist werksseitig schon eingestellt!**

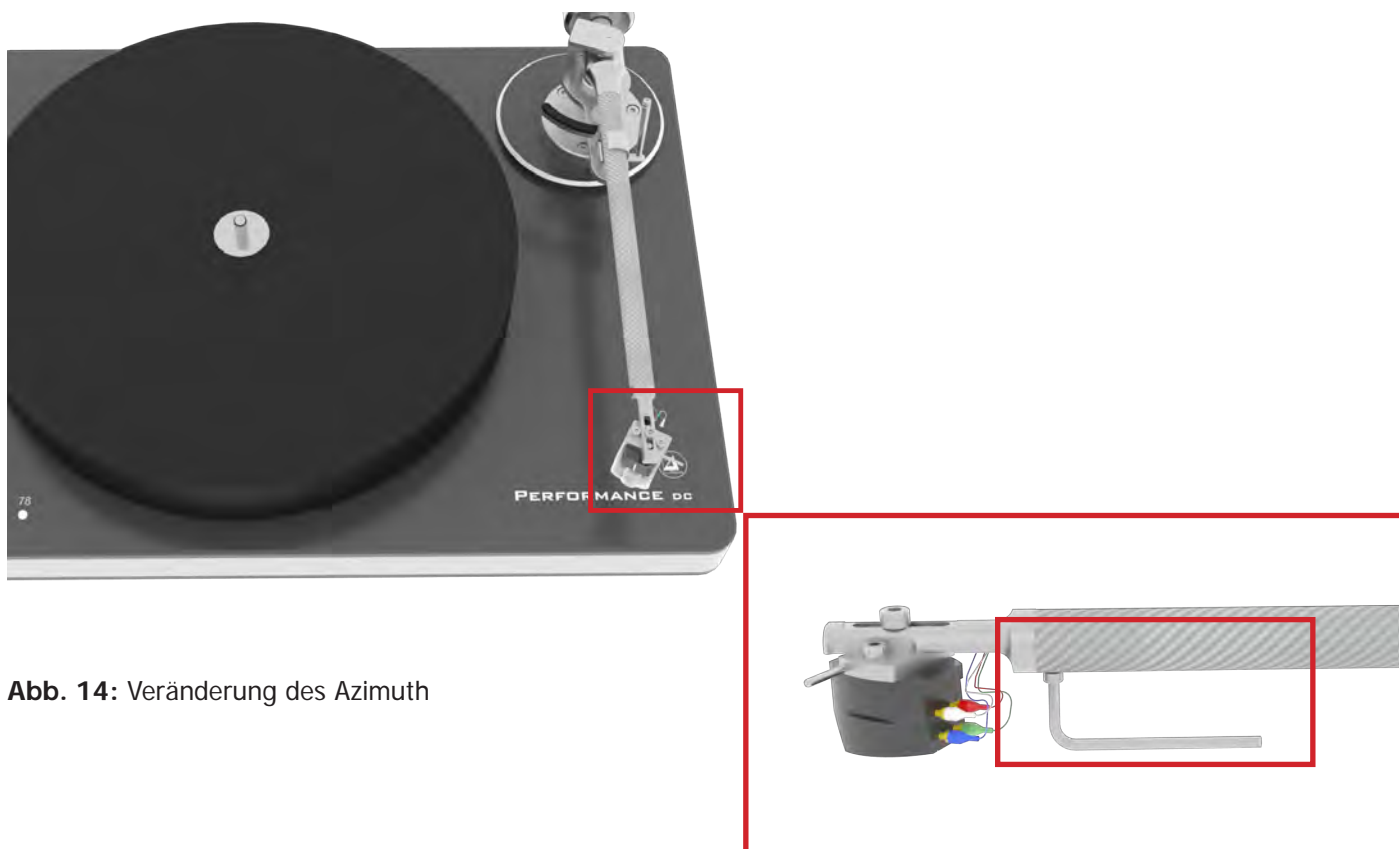
Falls Sie den Azimuth noch optimieren wollen senken Sie den Tonabnehmer wieder auf die Plattenoberfläche (mit aufgelegter Schallplatte) ab und überprüfen Sie den Stand der Nadel.

Falls der Azimuth verändert werden muss, verfahren Sie bitte wie folgt:

Lösen Sie die Schraube (Innensechskant #2) unten am Tonarmrohr nahe des Headshells (Abb. 14). Jetzt können Sie den Azimuth durch Drehen des Headshells im Tonarmrohr verstellen.

Nachdem Sie die richtige Position gefunden haben, ziehen sie die kleine Innensechskantschraube wieder vorsichtig fest, ohne dabei die zuvor gewählte Position zu verändern.

Zur Überprüfung empfehlen wir die „Mini Level Gauge“ von **clearaudio** (Art. Nr.: AK001; auch erhältlich über [www.analogshop.de](http://www.analogshop.de)).



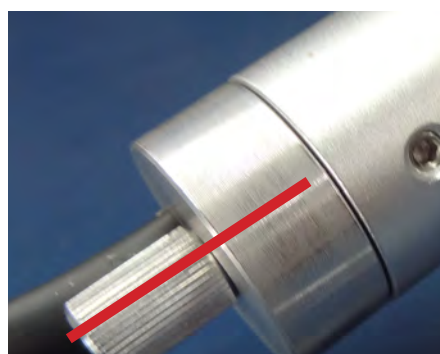
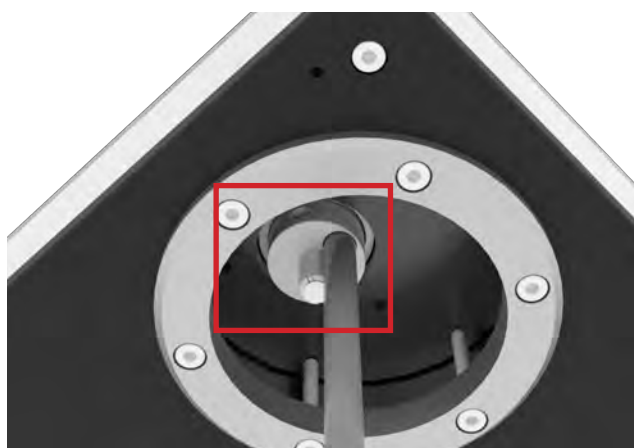
**Abb. 14:** Veränderung des Azimuth

## 5.5 Einstellung des Anti-Skating

Das Anti-Skating wird von **clearaudio** bereits voreingestellt.

Zum Einstellen des Anti-Skating befindet sich auf der Unterseite des Tonarms eine Einstellschraube.

Diese Einstellung ist auf Ihrem Tonarm (von unten betrachtet) mit einem Strich markiert.



**Abb. 15:** Einstellung des Anti-Skating

Sie können das Antiskating folgendermaßen ändern:

**Drehen im Uhrzeiger (max. 5 Umdrehungen)** = stärkeres Anti-Skating

**Drehen gegen den Uhrzeiger (max. 5 Umdrehungen)** = weniger Anti-Skating

Für eine professionelle und perfekte Anti-Skating-Einstellung empfehlen wir die **clearaudio Trackability Test Record** erhältlich über [www.analogshop.de](http://www.analogshop.de) oder in Ihrem Fachhandel.

### **Die Tonarmjustage ist nun abgeschlossen.**

Vor dem Verbinden des Tonarms mit Ihrer Phonovorstufe, empfehlen wir die vorgenommenen Einstellungen nochmals zu kontrollieren und gegebenenfalls zu korrigieren.

Wir wünschen Ihnen viel Hörvergnügen mit Ihrem neuen *concept / Verify* Tonarm.  
Ihr **clearaudio** Team

## 6. Fehlerbehebung

Sollten Sie ein Problem mit Ihrem *concept / Verify* Tonarm haben, überprüfen Sie zuerst mögliche Ursachen, um eine Fehlbedienung auszuschließen.

Sollte der Fehler weiterhin bestehen, wenden Sie sich bitte an Ihren Händler!

**Versuchen Sie niemals das Produkt zu öffnen und/oder selbst zu reparieren, dies führt zu Garantieverlust!**

Fehler	Ursache	Maßnahme
<b>Nadel hüpf</b> t oder <b>rutscht über die Platte</b>	Ist die Schallplatte oder der Nadelträger verschmutzt oder beschädigt?	Reinigen Sie die Schallplatte / bzw. den Tonabnehmer. <b>Clearaudio</b> bietet viele hilfreiche Zubehörprodukte zur Pflege und Reinigung an. Bei Beschädigung empfehlen wir eine Begutachtung durch einen Spezialisten und ggfs. einen Austausch.
	Ist eine zu hohe Auflagekraft eingestellt?	Kontrollieren und justieren Sie die Auflagekraft nach wenn nötig. Verwenden Sie hierfür nur geeignetes Messmittel, z.B. <b>clearaudios</b> „Weight Watcher touch“ oder „Smart Stylus Gauge“.
	Ist die Platte verformt oder verkratzt?	Verwenden Sie eine Plattenklemme oder ersetzen Sie die Schallplatte.
	Ist der Plattenspieler in Waage?	Überprüfen Sie die Ausrichtung des Plattenspielers und justieren Sie diese, wenn nötig nach.
<b>Tonarmlift senkt sich nicht ab bzw. sehr langsam</b>	Der Tonarm wurde längere Zeit nicht verwendet, dadurch kann sich das Fett im Tonarmlift etwas verhärten und senkt sich dadurch schwerer ab.	Betätigen Sie den Lift ca. 4-5 mal, damit sich das Fett im Tonarmlift wieder lösen kann und der Liftbügel wieder gleichmäßig abgesenkt wird.



## 7. Technische Daten

<b>Konstruktionsprinzip:</b>	Radial-Tonarm, mit reibungsfreier Magnet-Technologie.
<b>Material:</b>	Aluminium (silber), Tonarmrohr aus schwarzem Aluminium ( <i>concept</i> ) oder silbernen Karbon ( <i>Verify</i> )
<b>Justierbare Tonabnehmer:</b>	2,5 g - 17,0 g
<b>Überhang:</b>	17,56 mm
<b>Gesamtlänge:</b>	305,00 mm
<b>Effektive Länge:</b>	239,56 mm
<b>Montage-Abstand (Tonarmdrehpunkt zu Spindel):</b>	222,00 mm
<b>Kröpfungswinkel:</b>	24,16°
<b>Signalkabel:</b>	1,1 m <b>clearaudio</b> Direct Wire PLUS konfektioniert mit Cinch
<b>Gewicht:</b>	<i>concept</i> : ca. 450 g (inkl. Gegengewicht) <i>Verify</i> : ca. 440 g (inkl. Gegengewicht)
<b>Herstellergarantie:</b>	2 Jahre*

\* Nur bei korrekt ausgefüllter und eingesandter Garantiekarte an **clearaudio** oder online registrierter Garantie innerhalb von 14 Tagen (<https://clearaudio.de/de/service/registration.php>).

The full, extended warranty period for the *concept / Verify* tonearm is 2 years. To receive this full **Clearaudio** warranty, you must either complete and return the relevant section of the warranty registration card to **Clearaudio**, or register your product online at <https://clearaudio.de/en/service/registration.php>, within 14 days of purchase. Otherwise only the legal warranty can be considered.

The full 2 year warranty can only be honoured if the product is returned in its original packing.

Um die volle **clearaudio** Garantie (für *concept / Verify* Tonarm 2 Jahre) in Anspruch nehmen zu können, senden Sie uns bitte die beigelegte Garantiekarte innerhalb von zwei Wochen korrekt und vollständig ausgefüllt zu oder registrieren Sie die Garantie online unter <https://clearaudio.de/de/service/registration.php>, da sonst nur die gesetzliche Gewährleistung berücksichtigt werden kann. Nur wenn das Produkt in der Originalverpackung zurückgeschickt wurde kann **clearaudio** die Garantiezeit von 2 Jahren gewährleisten.

### ENGLISH WARRANTY

For warranty information, contact your local **Clearaudio** distributor.

#### **RETAIN YOUR PURCHASE RECEIPT**

Your purchase receipt is your permanent record of a valuable purchase. It should be kept in a safe place to be referred to as necessary for insurance purposes or when corresponding with **Clearaudio**.

#### **IMPORTANT**

When seeking warranty service, it is the responsibility of the consumer to establish proof and date of purchase.

Your purchase receipt or invoice is adequate for such proof.

FOR U.K. ONLY

This undertaking is in addition to a consumer's statutory rights and does not affect those rights in any way.

### FRANÇAIS GARANTIE

Pour des informations sur la garantie, contacter le distributeur local **Clearaudio**.

#### **CONSERVER L'ATTESTATION D'ACHAT**

L'attestation d'achat est la preuve permanente d'un achat de valeur. La conserver en lieu sûr pour s'y reporter aux fins d'obtention d'une couverture d'assurance ou dans le cadre de correspondances avec **Clearaudio**.

#### **IMPORTANT**

Pour l'obtention d'un service couvert par la garantie, il incombe au client d'établir la preuve de l'achat et d'en corroborer la date. Le reçu ou la facture constituent des preuves suffisantes.

### DEUTSCH GARANTIE

Bei Garantiefragen wenden Sie sich bitte zunächst an Ihren **Clearaudio** Händler. Heben Sie Ihren Kaufbeleg gut auf.

#### **WICHTIG!**

Die Angaben auf Ihrer Quittung erlauben uns die Identifizierung Ihres Gerätes und belegen mit dem Kaufdatum die Dauer Ihrer Garantie-Ansprüche. Für Serviceleistungen benötigen wir stets die Gerätenummer. Diese finden Sie auf dem Typenschild auf der Rückseite des Gerätes oder auch in der beigelegten Garantie-Registrierkarte.

### NEDERLANDS GARANTIE

Voor inlichtingen omtrent garantie dient u zich tot uw plaatselijke **Clearaudio**.

#### **UW KWITANTIE, KASSABON E.D. BEWAREN**

Uw kwitantie, kassabon e.d. vormen uw bewijs van aankoop van een waardevol artikel en dienen op een veilige plaats bewaard te worden voor evt, verwijzing bijv, in verbond met verzekering of bij correspondentie met **Clearaudio**.

#### **BELANGRIJK**

Bij een evt, beroep op de garantie is het de verantwoordelijkheid van de consument een gedateerd bewijs van aankoop te tonen. Uw kassabon of factuur zijn voldoende bewijs.



Loving music

## User manual / Bedienungsanleitung

### ITALIANO GARANZIA

L'apparecchio è coperto da una garanzia di buon funzionamento della durata di un anno, o del periodo previsto dalla legge, a partire dalla data di acquisto comprovata da un documento attestante il nominativo del Rivenditore e la data di vendita. La garanzia sarà prestata con la sostituzione o la riparazione gratuita delle parti difettose. Non sono coperti da garanzia difetti derivanti da uso improprio, errata installazione, manutenzione effettuata da personale non autorizzato o, comunque, da circostanze che non possano riferirsi a difetti di funzionamento dell'apparecchio. Sono inoltre esclusi dalla garanzia gli interventi inerenti l'installazione e l'allacciamento agli impianti di alimentazione.

Gli apparecchi verranno riparati presso i nostri Centri di Assistenza Autorizzati. Le spese ed i rischi di trasporto sono a carico del cliente. La casa costruttrice declina ogni responsabilità per danni diretti o indiretti provocati dalla inosservanza delle prescrizioni di installazione, uso e manutenzione dettagliate nel presente manuale o per guasti dovuti ad uso continuato a fini professionali.

### ESPAÑOL GARRANTIA

Para obtener información acerca de la garantía póngase en contacto con su distribuidor **Clearaudio**.

#### **GUARDE SU RECIBO DE COMPRA**

Su recibo de compra es su prueba permanente de haber adquirido un aparato de valor, Este recibo deberá guardarlo en un lugar seguro y utilizarlo como referencia cuando tenga que hacer uso del seguro o se ponga en contacto con **Clearaudio**.

#### **IMPORTANTE**

Cuando solicite el servicio otorgado por la garantía el usuario tiene la responsabilidad de demostrar cuándo efectuó la compra. En este caso, su recibo de compra será la prueba apropiada.



Loving music

## **clearaudio electronic GmbH**

Spardorfer Straße 150  
91054 Erlangen  
Germany

Phone /Tel.: +49 9131 40300 100

Fax: +49 9131 40300 119

[www.clearaudio.de](http://www.clearaudio.de)

[www.analogshop.de](http://www.analogshop.de)

[info@clearaudio.de](mailto:info@clearaudio.de)



## **Handmade in Germany**

**Clearaudio Electronic** accepts no liability for any misprints.

Technical specifications are subject to change or improvement without prior notice.

Product availability is as long as stock lasts.

Copies and reprints of this document, including extracts, require written consent from

**Clearaudio Electronic GmbH, Germany.**

Änderungen bleiben vorbehalten. Lieferbar solange Vorrat reicht. Für Druckfehler keine Haftung.  
Irrtümer vorbehalten- Kopien und Abdrucke – auch nur auszugsweise – bedürfen der schriftlichen  
Genehmigung durch die **clearaudio electronic GmbH.**

**2024**