



Loving music

TT5

User manual
Bedienungsanleitung



Pic. similar /
Abb. ähnlich



Pic. similar /
Abb. ähnlich



User manual 2 - 18



Bedienungsanleitung 19 - 35

Dear **Clearaudio** customer,

Thank you for purchasing the **Clearaudio** *TT5* tangential tonearm.

With the *TT5* **Clearaudio** offers vinyl fans a more affordable entry point into the high performance of tangential tonearm technology.

Please read this user manual carefully to ensure the appropriate care of your tonearm and to avoid any invalidation of your warranty by misuse. The manual will help you with both initial set-up and ongoing maintenance.

We wish you much listening pleasure with your new **Clearaudio** *TT5* tangential tonearm.

Clearaudio electronic GmbH



Safety instructions

1. General information

Check the tonearm for any damage before using it. Do not connect the tonearm if damaged!

Never connect the tonearm if it has been dropped or gotten wet, contact your dealer to have the tonearm checked.

Never expose the tonearm to rain or moisture.

The inside of the tonearm is maintenance free. Never open the case or attempt to repair the unit yourself, since this can lead to loss of warranty!

Before using the tonearm for the first time or after a long period of inactivity the lift must be operated approx. 4-5 times to loosen the grease in the tonearm lift to lower the lift bar evenly again.

Contains swallowable parts, not for small children.

2. Intended use

The *775* is a tonearm for playing music and is intended exclusively for use on turntables.

Only use the *775* tonearm in accordance with the information provided in the user manual.

3. Location of installation

Avoid locations with direct sunlight, temperature fluctuations and high humidity. Likewise, avoid placing electronic devices near heaters, heat lamps, or other devices that produce heat.

The device is designed for operation at room temperature.

No objects with an open flame may be placed on or near the device (burning candles or similar).

4. Maintenance

Please make sure that the precision dry ball bearings are not touched, cleaned or lubricated in any way.

Never move or readjust the screws in the tonearm carriage. They should be adjusted only by qualified dealers or at the **Clearaudio** factory.

Use a cotton bud and a commercially available glass cleaner to clean the glass tube. Put some glass cleaner on the cotton bud and slide it through the glass tube with a movement from the inlet to the outlet groove. Never use aggressive cleaning agents.

Do not use dry cloths for cleaning as this generates static electricity. Suitable cleaning and care products from **Clearaudio** are available at www.analogshop.de or from specialist retailers.

Only use a soft cloth with a smooth surface or a soft brush for cleaning.

WARNING:

Never insert the oil into the precision bearing as this will result in damage of bearing.

5. Health information

Permanently high volume can lead to various types of hearing damage. Use high volume responsibly!

6. Service

The *TT5* tonearm should be repaired during the guarantee period by the manufacturer only, otherwise the warranty claim expires. All **Clearaudio** products should only be serviced by specialist retailer.

If, despite the high production standard, a service is necessary, the *TT5* tonearm must be send to **Clearaudio** through your dealer.

7. Transport

Use the original packing material for further transportation of the *TT5* tonearm, otherwise serious damage could occur.

Be sure to pack the device exactly as it was shipped.
Safe transport is only guaranteed in the original packaging.

**During any transportation of the tonearm, always protect the carriage with a piece of foam so that the carriage cannot move during transportation.
When repackaging the tonearm, please follow in reverse the steps indicated in this manual for installation and setup.**

8. Disposal



Do not dispose this product together with other waste.
WEEE Reg. No.: DE26004446

9. CE Marking



This electronic product corresponds to the applicable guidelines for obtaining the CE mark.



Contents

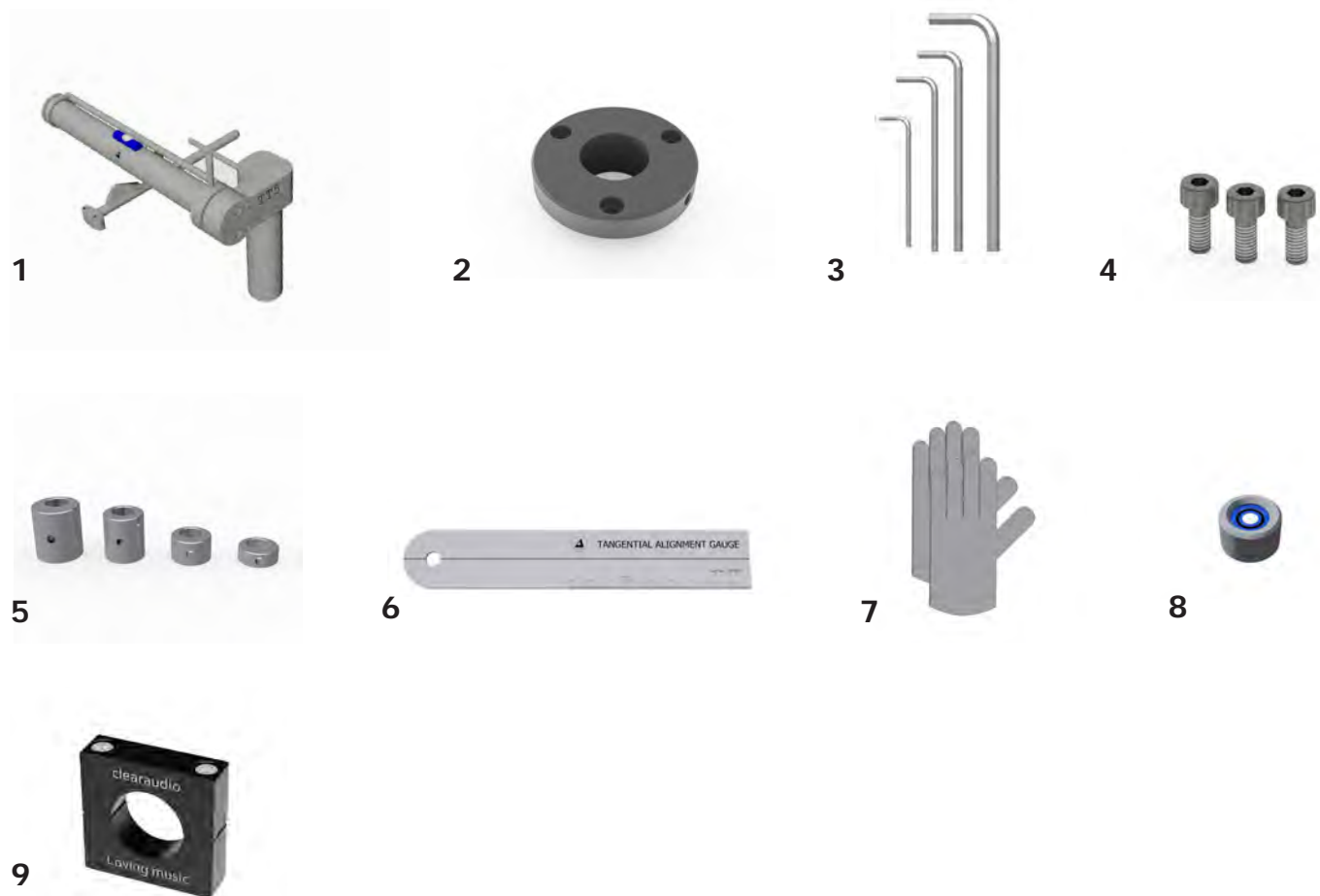
1. Package contents	6 - 7
2. Mounting the clamping ring	8 - 10
3. Mounting the <i>TT5</i> tonearm.....	11
4. Mounting the cartridge	11
5. <i>TT5</i> adjustment	12 - 16
6. Troubleshooting	17
7. Technical data	18
Warranty information	36 - 37

1. Package contents

The **Clearaudio 775** tangential tonearm is delivered in specially designed packaging to ensure safe shipment. Please retain this packaging in case you need to safely transport, ship or store the tonearm at a future date.

Please check the package contents first. When unpacking the tonearm, be sure to handle the tonearm's sensitive signal cables with the utmost caution.

Note: All threads are right-hand thread (metric).



Pic. 1: Package contents



Loving music

User manual / Bedienungsanleitung

1.	TT5 tonearm; with pre-installed precision-machined silver carbon arm tube with aluminium headshell (without cartridge)	6.	Clearaudio tangential alignment gauge
2.	Aluminium clamping ring with M6 x 8	7.	1 pair of white gloves
3.	1x hex wrench (# 1.5) 1x hex wrench (# 2) 1x hex wrench (# 2.5) 1x hex wrench (# 3)	8.	Clearaudio Mini Level Gauge
4.	<u>Clamping ring mounting bolts:</u> - 3x allen screws M4 x 10 <u>Cartridge mounting screws (not pictured):</u> - 2x M2.5 x 12 - 2x M2.5 x 14	9.	TT5 VTA fix
5.	<u>4x counterweights:</u> 2.3; 2.6; 4.3 and 8.0 grams	10.	Not pictured: Warranty card; User manual; Clearaudio quality certificate and return delivery note

2. Mounting the clamping ring

2.1 Selecting the correct tonearm base

If you would like to use the *TT5* in combination with an swing base, please go ahead and mount the swing base as described in the user manual. The clamping ring is not needed in this case.

Whether you want to use the *TT5* with or without swing base, the following instructions (from point 4 onwards) for setting the *TT5* apply are for both options.

Before mounting the clamping ring, first check that the correct tonearm base is mounted on your turntable.

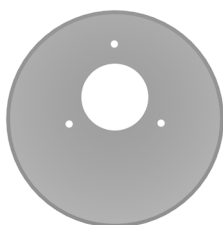
For **Clearaudio** Performance DC and Ovation turntables you can use the following tonearm bases:

- **Uni concept / Performance DC / Ovation (Art. No. AC031-5)**
This tonearm base is equally suitable for mounting all **Clearaudio** radial tonearms and *TT5* tangential tonearm without additional mounting of the clamping ring.
Please note: This tonearm base is not suitable to mount the swing base!



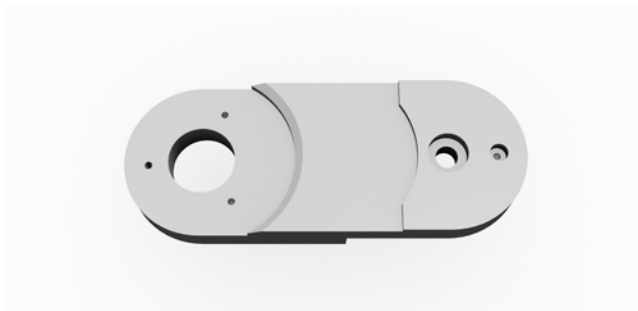
Pic. 2: Uni concept / Performance DC / Ovation (Art. No. AC031-5)

- **Unify base (Art. No. AC031-4)**
For mounting the clamping ring or the **Clearaudio** swing base.



Pic. 3: Unify base (Art. No. AC031-4)

- To mount the clamping ring on a turntable of the **Clearaudio** Innovation series you will need to mount the Unify 12 inch level base (Art. No. AC030-4).
For mounting the clamping ring or the **Clearaudio** swing base.



Pic. 4: Unify 12 inch level base (Art. No. AC030-4)

2.2 Mounting the clamping ring

If the clamping ring is not necessary you can proceed with point 3.

Attach the aluminium clamping ring to the clean surface of the turntable chassis using the included M4 x 10 hex socket head cap screws and the matching hex wrench (#3).
Make sure that the clamping ring sits perfectly flat on the mounting surface.



Pic. 5: Mounting the clamping ring



Pic. 6: Fixing the clamping ring

Please tighten all three screws firmly (Pic. 6).

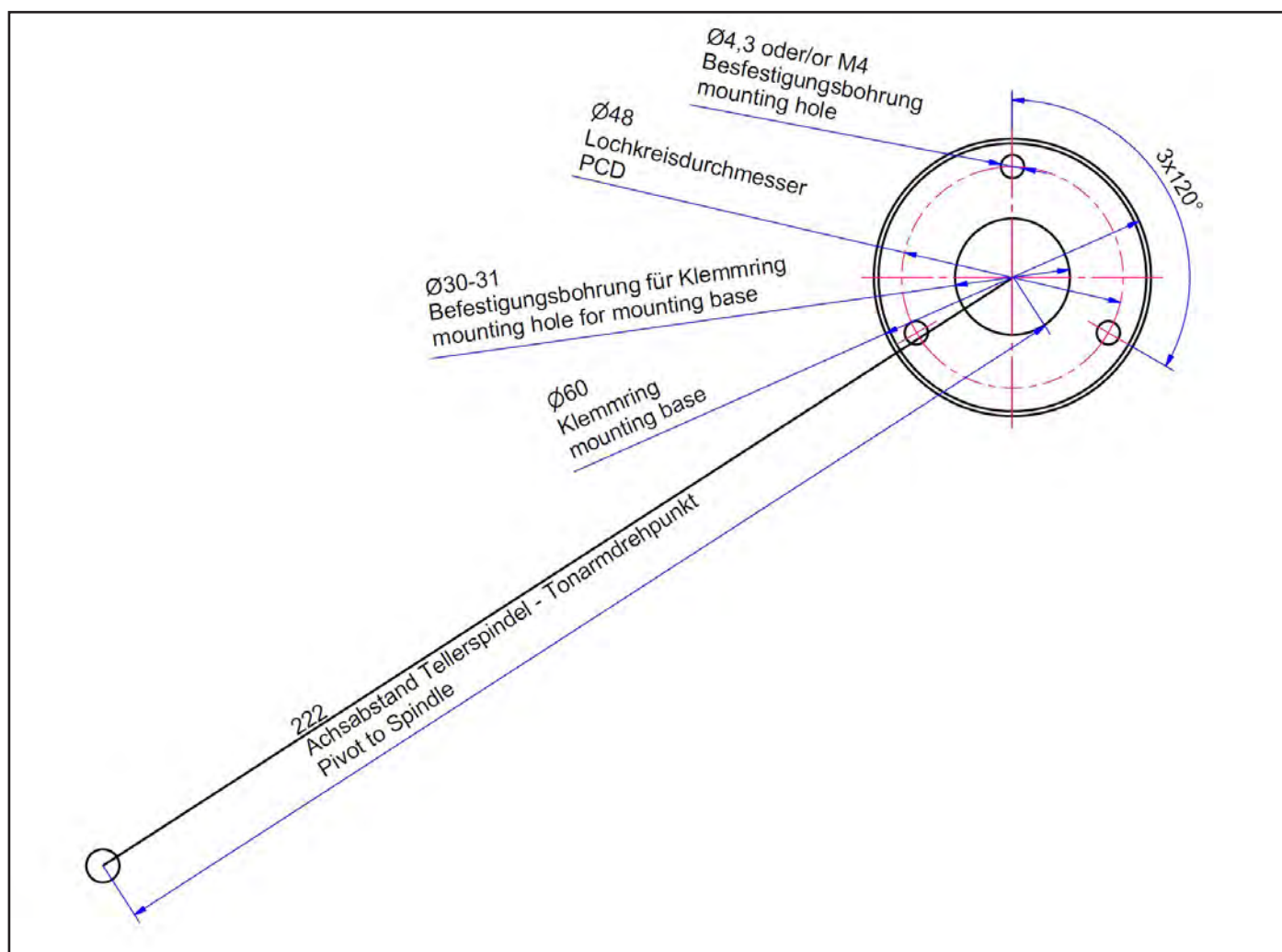
Mounting the aluminum clamping ring on a non-Clearaudio turntable:

To install the aluminium clamping ring on the turntable chassis, you will need to drill the required holes. Please refer to the drilling template shown below (Pic. 7) for the measurements to mark the exact drilling holes.

Please be informed, that this drawing is not suitable for use as a mounting tool.

Use a 3.3mm HSS drill bit, then cut an M4 thread into each hole using an appropriate tap cutting tool.

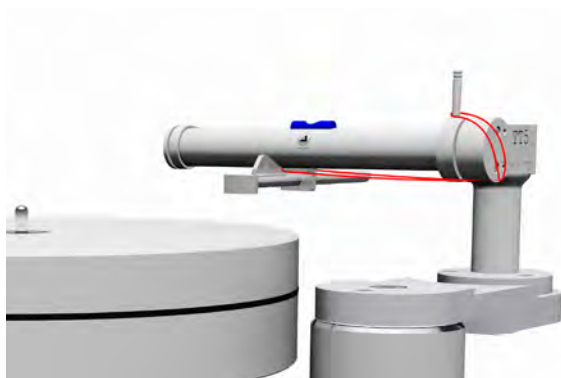
If the turntable chassis material is not suitable for cutting threads, please use a 4.5mm HSS drill bit to drill the holes through the material. In this case use standard bolts and nuts to fix the arm base.



Pic. 7: Mounting the aluminium clamping ring on a non-Clearaudio turntable

3. Mounting of the TT5 tonearm

Guide first the tonearm cable, followed by the foot of the tonearm through the aluminium clamping ring, swing base, or tonearm base.



Pic. 8: Mounting the tonearm

Next, set the approximate height and position of the tonearm and secure it with the arm locking screw in the aluminium clamping ring, swing base, or tonearm base (see Pic. 8).

To adjust the position of the tonearm, we recommend the **Clearaudio** Cartridge alignment gauge (Art. No. AC005/IEC; www.analogshop.de). You can also use a common ruler for this purpose.

The distance of the spindle to the centre of the clamping ring should be 222mm.

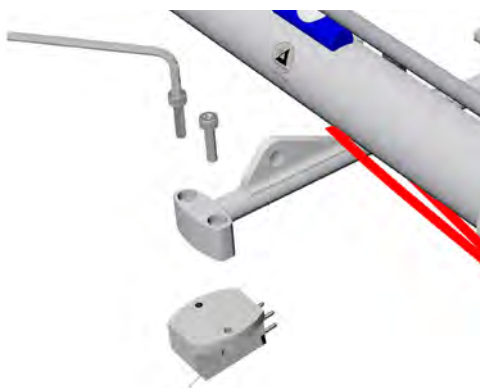
4. Mounting of the cartridge

Important note: To avoid any damage to your cartridge during assembly, please leave the stylus guard on your cartridge and proceed very carefully.

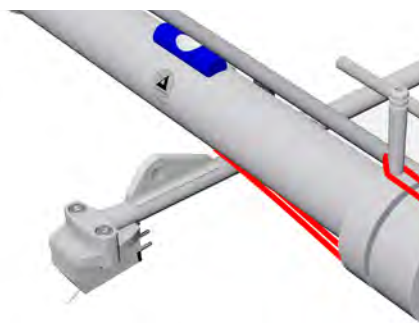
Make sure that the tonearm height allows enough space above the turntable platter to mount the cartridge. Using the screws supplied (M2.5 x 12 or M2.5 x 14), attach the cartridge on to the aluminium headshell.

Next, connect the pins to the cartridge contacts. Please observe the following colour coding:

Red: Right channel / R+
Green: Right channel / R-
White: Left channel / L+
Blue: Left channel / L-



Pic. 9: Mounting the cartridge



Pic. 10: Mounted cartridge

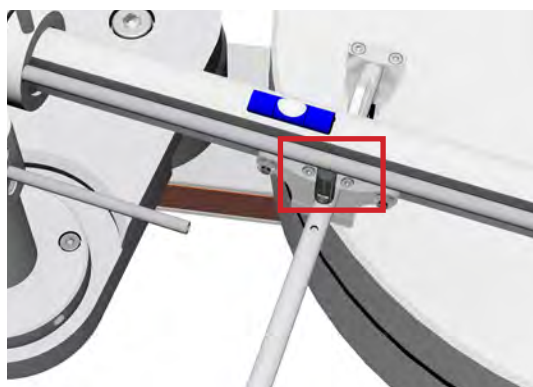
Now you can remove the rubber band that serves as a carriage lock.

5. TT5 adjustment

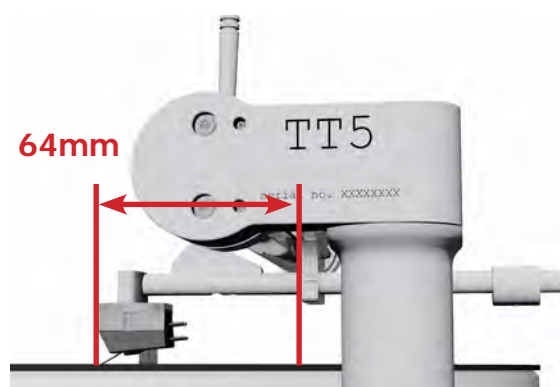
5.1 Setting the position

Use the enclosed alignment gauge to measure the distance from the tip of the needle to the front edge of the tonearm slide (see Pic. 12). The optimum measurement is 64mm.

To adjust it, slightly open both screws on top of the tonearm carriage using the #1.5 hex wrench and move the headshell into the correct position.



Pic. 11: Screws of the tonearm slide



Pic. 12: Correct position

5.2 Pre-adjustment of the tracking force

Note: This step requires removing the stylus guard from the cartridge. Please proceed with great care to avoid any damage.

Use one of the counterweights supplied to adjust the tracking force, so that the cartridge is lowered with minimal force. The choice of the counterweight will depend on the weight of the cartridge.

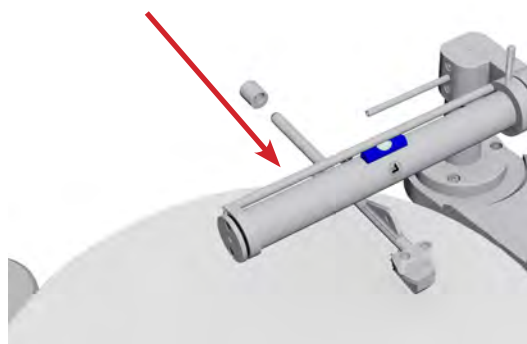
Our recommendation:

Weight size 1 for cartridges weighing 7g

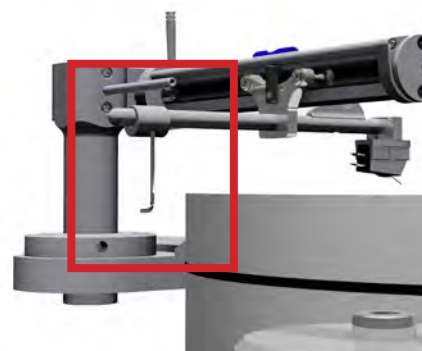
Weight size 3 for cartridges weighing 8g

Weight size 4 for cartridges weighing 12g

This tonearm is suitable for cartridges with a weight of 5.5g or more. If your cartridge is lighter, use a weight between the headshell and the cartridge (headshell plate is not included).



Pic. 13: Mounting the cartridge weight



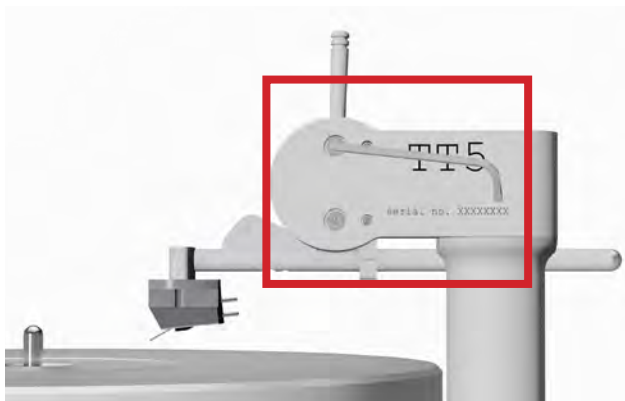
Pic. 14: Fixing the weights

5.3 Positioning the tonearm horizontally

Before adjusting the horizontal alignment of the tonearm, check the horizontal alignment of your turntable first.

After correct horizontal adjustment of your turntable, loosen the two screws with an hex wrench #2 (Pic. 15) by about one turn.

By alternately tightening the screws, you can position the tonearm horizontally, in accordance with the installed bubble level.



Pic. 15: Horizontal adjustment

5.4 VTA-Adjustment

The **Clearaudio** linear gauge is suitable for adjusting the tonearm height, since it corresponds to the thickness of a record and the linear track is marked.

Place the **Clearaudio** linear gauge through the existing hole on the turntable spindle and align it so that it points toward the tonearm base.

Place the included Mini Level Gauge on the headshell (Pic. 16; page 12), and by lowering the lift, the VTA setting can be checked and readjusted if necessary.

Proceed as follows

- If using the clamping ring / a tonearm base:
Loosen the screw on the clamping ring / tonearm base and move the tonearm in the appropriate direction until the bubble of the Mini Level Gauge is centered in its housing.
- If using the swing base:
Lift the top of the swing base and loosen the screws on the bottom of the swing base, then move the tonearm in the appropriate direction until the bubble of the Mini Level Gauge is centred in its housing.

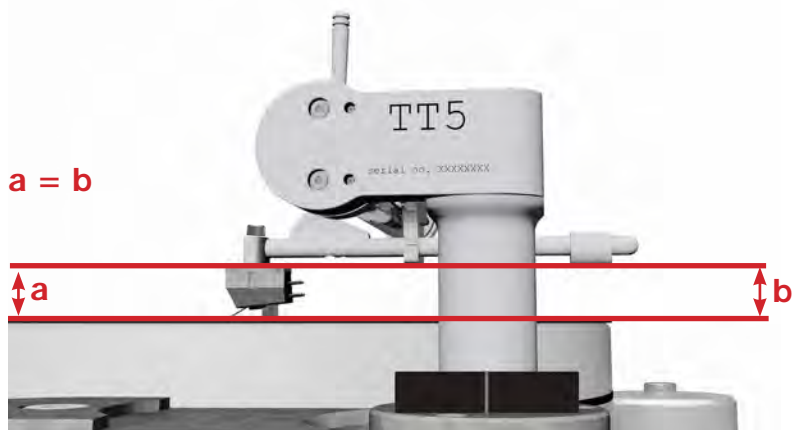
Repeat this process until the desired alignment is achieved.
Fix this position and check it again.

To fix the VTA during further adjustment of the *TT5*, we recommend the use of the included *TT5* VTA clamp.

For this, remove both screws from the *TT5* VTA clamp with the enclosed hex wrench #3.

Place the two halves of the VTA clamp around the tonearm pillar, so that they sit on the tonearm base or swing base and gently tighten the screws with the hex wrench #3.

Now you can loosen the screw of the clamping ring / tonearm base, or the screws of the swing base, and continue to point 5.5.



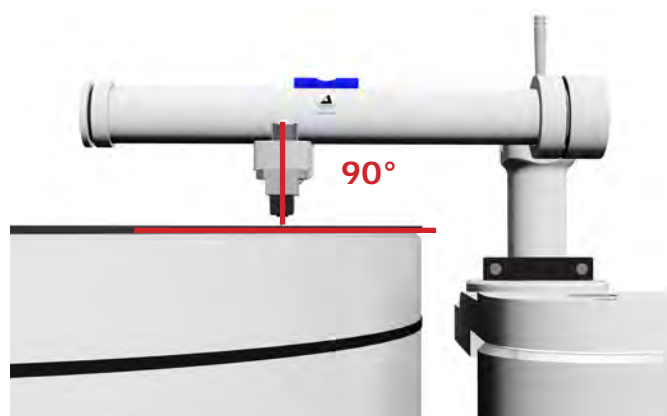
Pic. 16: Adjusting the VTA with the *TT5* VTA fix

5.5 Adjustment of the azimuth (vertical position of the cartridge / stylus in the record groove)

**Important: Please use extreme caution during this step.
Always lift the cartridge upwards during the adjustment.**

Using the arm lift, lower the cartridge carefully onto the included alignment gauge. Now check from the front and with the help of the Mini Level Gauge the alignment of the cartridge and re-adjust it, if necessary.

The cartridge is in perfect alignment when it is vertical to the surface of the platter (see Pic. 17) and the bubble of the Mini Level Gauge is centered (Pic. 18).



Pic. 17: Perfect azimuth



Pic. 18: Adjustment of the azimuth

5.6 Fine adjustment of the tracking force

Set the correct tracking force of your cartridge according to the manufacturers instructions. To set the correct tracking force, we recommend the digital cartridge weight „Weight Watcher touch“ from **Clearaudio** (Art. No. AC163, also available at www.analogshop.de; Pic. 19).

After completing all settings, please make sure that the signal cable forms a smooth loop to the rear.

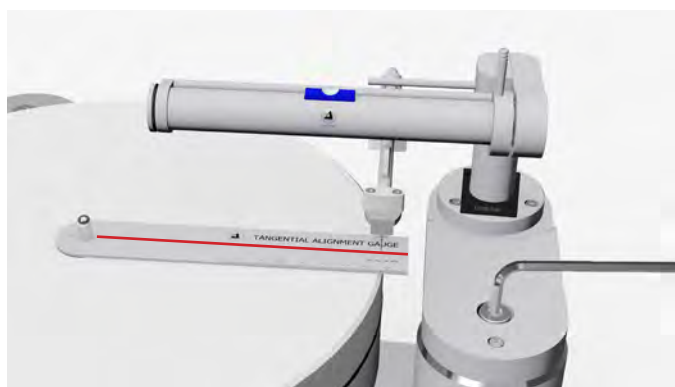


Pic. 19: Adjustment of the tracking force

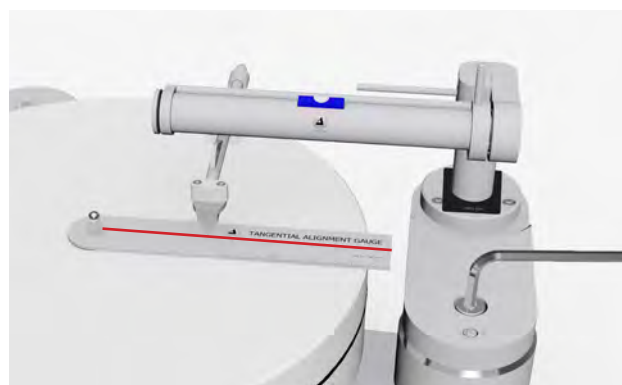
5.7 Setting the tangential

Reposition the **Clearaudio** linear gauge through the existing hole on the turntable spindle and align it so it points toward the tonearm base.

Use the lift to lower the stylus at the left hand end of the Clearaudio linear gauge, moving the gauge so that the diamond sits exactly on the reference line (see Pic. 20, red line). Lift the cartridge up again and then position it at the right hand end of the gauge.



Pic. 20: Adjustment of the linear tracking



Pic. 21: Adjustment of the linear tracking

Important note:

To avoid any damage, never move the cartridge while it is lowered in the linear gauge!

If the cartridge is not parallel to the reference line, rotate the tonearm base in the appropriate direction, fix it in place and recheck your result.

Repeat this process until the stylus exactly follows the reference line of the linear gauge. Finally, hand-tighten the screw/screws of the tonearm base to fix the final adjustment.

Now, check all settings as described from point 5 on and repeat the adjustment if necessary.

After setting the tangential tracking angle, fix the tonearm pillar in the tonearm base / clamping ring or TT5 swing base.

Now you can remove the TT5 VTA fix by unscrewing the M4 cylinder head screws with a hex wrench (# 3).

The **Clearaudio** TT5 tonearm is now fully adjusted and ready to play.



6. Troubleshooting

First check the possible causes to rule out incorrect operation if you have a problem with your *TT5* tonearm.

Please contact your dealer if the error persists!

Never try to open the unit and/or repair it yourself, this will void the warranty!

Error	Cause	Measure
Needle bounces or slides across record	Is the record or the stylus dirty or damaged?	Clean the record / or the cartridge. Clearaudio offers many helpful accessories for care and cleaning. In the event of damage, we recommend an assessment by a specialist and, if necessary, an exchange.
	Has the tracking force been set too high/low?	Adjust the tracking force. Use only a suitable gauge! For example Clearaudio „Weight Watcher touch“ or „Smart Stylus Gauge“.
	Is the record deformed or scratched?	Use a record clamp or replace the record.
	Is the turntable leveled?	Check the alignment of the turntable and adjust if necessary.
The tonearm carriage gets stuck	Were all settings made correctly during assembly?	Check all settings and adjust them again if necessary.
	Is the glass tube dirty?	Use a cotton bud and a commercially available glass cleaner to clean the glass tube. Put some glass cleaner on the cotton bud and slide it through the glass tube with a movement from the inlet to the outlet groove.
	Is the tonearm leveled?	Check the alignment of the tonearm and adjust if necessary.
	Is the turntable leveled?	Check the alignment of the turntable and adjust if necessary.

7. Technical Data

Construction details:	Tangential tonearm Mechanical and passive drive through dry-running ball bearing in an calibrated polished glass tube
Material:	Aluminium (black/silver), stainless steel, glass
Cartridge balance range:	5.5g - 15g
Mounting style:	On request
Wiring:	1.1m Super Sixstream terminated with RCA
Weight:	Approx. 520g (without aluminium collar) Collar only: 65g
Dimensions (W/D/H):	Approx. 7.87 x 5.51 x 5.51 inches (incl. headshell)
Dimensions (W/D/H):	Approx. 200 x 140 x 140mm (incl. headshell)
Manufacturer's warranty:	5 years*

* Provided that the warranty card is correctly completed and returned to **Clearaudio**, or your product is registered online at <https://clearaudio.de/en/service/registration.php>, within 14 days of purchase.



Loving music

User manual / Bedienungsanleitung

Sehr verehrte **clearaudio** - Kundin, sehr verehrter **clearaudio** - Kunde,

wir gratulieren Ihnen! Sie haben sich für einen der besten Tonarme, den neuen **clearaudio** *TT5* Tangential Tonarm entschieden. Ein erstklassiges, in aufwändiger Handarbeit gefertigtes Produkt der **clearaudio** electronic GmbH.

Mit dem **clearaudio** *TT5* Tangential Tonarm haben Sie die Möglichkeit, alle Fähigkeiten Ihrer HiFi- Anlage in Verbindung mit einem adäquaten Tonabnehmersystem voll auszuschöpfen!

Damit Sie die Wiedergabemöglichkeiten dieses einzigartigen Tangential-Tonarms optimal nutzen können, lesen Sie bitte diese Aufbau- und Bedienungsanleitung aufmerksam durch. Sämtliche Hinweise dienen dazu, Ihnen viele Jahre ungetrübten Musikgenuss zu bereiten und Fehlbedienungen zu vermeiden.

Wir wünschen Ihnen viel Freude und Hörgenuss mit Ihrem neuen **clearaudio** *TT5* Tangential Tonarm.

clearaudio electronic GmbH



Sicherheitshinweise

1. Allgemeine Hinweise

Überprüfen Sie den Tonarm vor der Inbetriebnahme auf vorhandene Schäden. Ist der Tonarm beschädigt, sollten Sie diesen nicht anschließen!

Schließen Sie den Tonarm niemals an, wenn er heruntergefallen oder nass geworden ist, kontaktieren Sie Ihren Händler, um den Tonarm überprüfen zu lassen.

Setzen Sie den Tonarm niemals Regen oder Feuchtigkeit aus.

Das Innere des Tonarms ist wartungsfrei, öffnen Sie niemals das Gehäuse oder versuchen Sie das Gerät selbst zu reparieren. Dies führt zu Garantieverlust!

Vor dem erstmaligen Benutzen oder nach längerem Stillstand muss der Lift ca. 4-5x betätigt werden, damit sich das Fett im Tonarmlift lösen kann und der Liftbügel wieder gleichmäßig abgesenkt wird.

Nicht für Kinder geeignet! Lieferumfang kann verschluckbare Kleinteile enthalten.

2. Bestimmungsgemäßer Gebrauch

Der *TT5* ist ein Tonarm zur Musikwiedergabe und zur ausschließlichen Verwendung auf Plattenspielern bestimmt.

Der bestimmungsgemäße Gebrauch des *TT5* Tonarms ist die Verwendung in Übereinstimmung mit den in der Bedienungsanleitung bereitgestellten Informationen.

3. Aufstellungsort

Vermeiden Sie Aufstellungsorte mit direkter Sonneneinstrahlung, Temperaturschwankungen sowie hohe Luftfeuchtigkeit. Ebenso sollten Sie Elektrogeräte nicht in der Nähe von Heizungen, Heizlampen oder anderen Geräten platzieren die Wärme Produzieren.

Das Gerät ist für den Betrieb in beheizten Räumen konzipiert.

Auf dem Gerät dürfen keine Gegenstände mit offener Flamme aufgestellt werde (brennende Kerzen o.Ä.).

4. Pflege

Die Präzisionskugellager niemals ölen oder mit anderen Flüssigkeiten behandeln.

Die Muttern zur Befestigung der Präzisionskugellagern sowie die Schrauben zur Befestigung des Signalkabels sind ab Werk perfekt positioniert und bedürfen keiner Veränderung.

Zur Reinigung des Glasrohrs verwenden Sie bitte Wattestäbchen und einen handelsüblichen Glasreiniger. Geben Sie etwas Glasreiniger auf das Wattestäbchen und führen Sie dieses mit einer Bewegung von „Einlauf-“ zur „Auslauf-Rille“ (Tellerkante bis Plattentellermitte) durch das Glasrohr.

Verwenden Sie auf keinen Fall aggressives Reinigungsmittel.



Loving music

User manual / Bedienungsanleitung

Warnung:

Niemals Öl in die Präzisionslager geben, da dies zu einer Beschädigung des Lagers führen könnte.

Verwenden Sie zum Reinigen keine trockenen Tücher, da dies elektrostatische Aufladung erzeugt. Geeignete Reinigungs- und Pflegemittel von **clearaudio** sind über www.analogshop.de oder über den Fachhandel erhältlich.

Verwenden Sie zur Reinigung nur ein weiches Tuch mit glatter Oberfläche bzw. einen weichen Pinsel.

5. Gesundheitshinweise

Dauerhaft hohe Lautstärke kann zu diversen Schädigungen des Gehörs führen. Gehen Sie verantwortungsbewusst mit hohen Lautstärken um!

6. Service

Der *TT5* darf während der Garantiezeit nur vom Hersteller repariert werden, ansonsten erlischt der Garantieanspruch. Der Service für alle **clearaudio** Produkte sollte ausschließlich beim Fachhändler erfolgen.

Sollte trotz des hohen Fertigungsstandards ein Service erforderlich werden, muss die **clearaudio TT5** über Ihren Fachhandel an **clearaudio** eingeschickt werden.

7. Transport

Beim Transport des **clearaudio TT5** Tonarms ist stets die Originalverpackung zu verwenden. Achten Sie darauf, das Gerät genauso zu verpacken, wie es ausgeliefert wurde.

Nur in originalverpacktem Zustand ist ein sicherer Transport gewährleistet.

Damit der Tonarmschlitten während eines Transports nicht unkontrolliert hin- und herschlägt, fixieren Sie diesen bitte z.B. mit einem Stück Schaumstoff.

Zum Versand des Tonarmes verwenden Sie bitte nur die Originalverpackung.

Verfahren Sie zum Verpacken und Demontieren des Tonarmes in umgekehrter Reihenfolge.

8. Entsorgung



Dieses Produkt darf nicht zusammen mit Restmüll entsorgt werden.
WEEE Reg.Nr.: DE26004446

9. CE-Markierung



Dieses Elektronikprodukt entspricht den gültigen Richtlinien zur Erlangung des CE-Zeichens.

Inhaltsverzeichnis

1. Lieferumfang.....	23 - 24
2. Befestigung des Klemmringes	25 - 27
3. Aufsetzen des <i>TT5</i> Tonarms	28
4. Montage des Tonabnehmers	28
5. <i>TT5</i> Einstellungen.....	29 - 33
6. Fehlerbehebung	34
7. Technische Daten.....	35
Garantiebedingungen	36 - 37

1. Lieferumfang

Der **clearaudio 775** Tangential Tonarm verlässt unsere Fertigung in einer besonders stabilen und dem Tonarm angepassten Verpackung, die einen sicheren Transport garantiert.

Bitte bewahren Sie diese Verpackung für den Fall eines Transports auf und kontrollieren Sie den Lieferumfang Ihres neu erworbenen **clearaudio 775** Tangential Tonarmes.

Achten Sie vor der Entnahme des Tonarmes aus seiner Verpackung auf das empfindliche Signalkabel, dass Sie mit größtmöglicher Vorsicht behandeln sollten.

Wichtig: Alle Gewinde sind Rechtsgewinde (metrisch)!

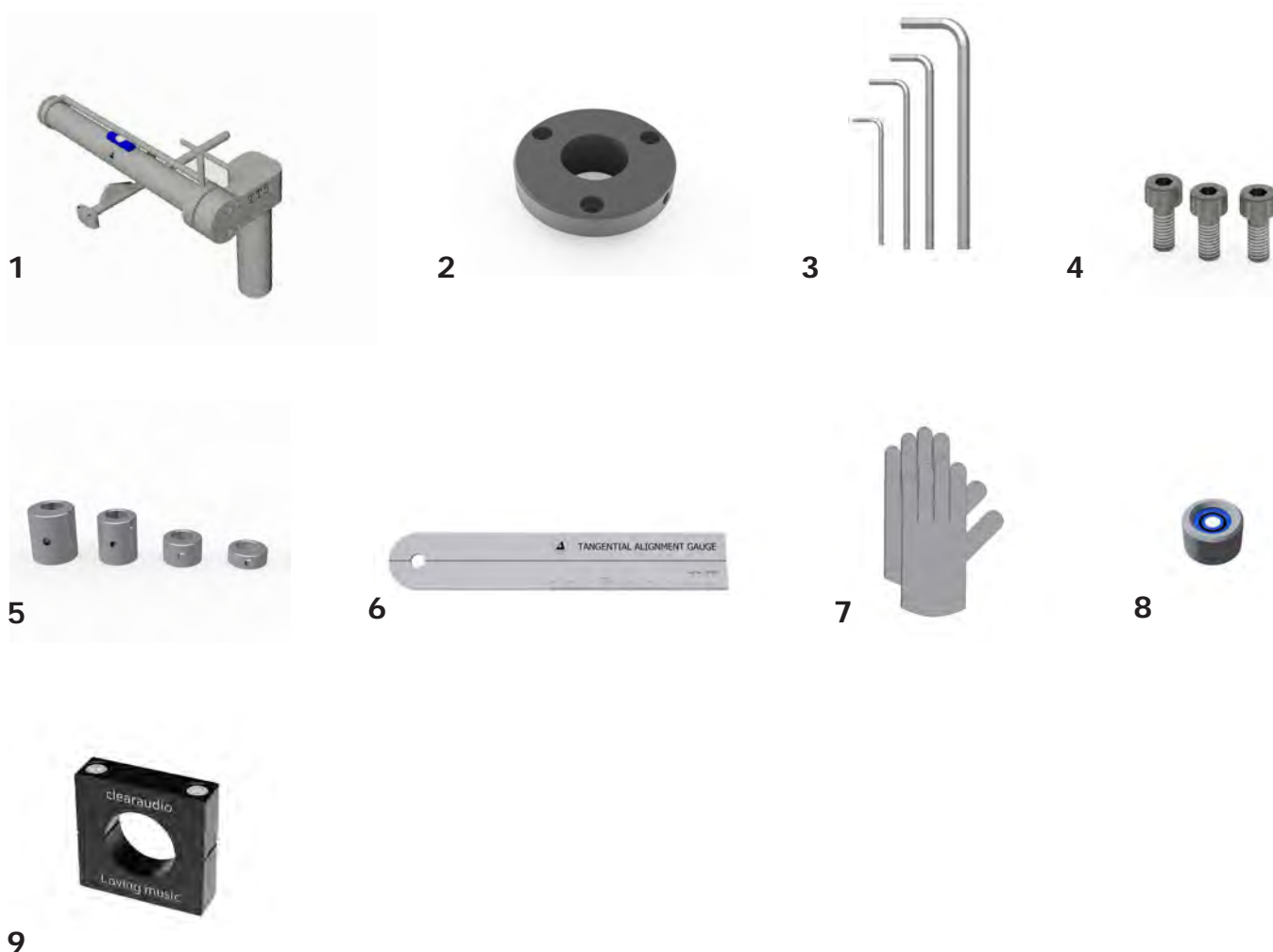


Abb. 1: Lieferumfang

1.	775 Tonarm; komplett vormontiert inkl. präzisionsgefertigtem Silber-Carbon-Headshell Rohr mit Aluminium-Headshell (ohne Tonabnehmer)	6.	Clearaudio tangential Alignment gauge (Einstellschablone zur Justage der tangentialen Abtastung)
2.	Aluminium-Klemmring mit Gewindestift M6 x 8	7.	1 Paar weiße Handschuhe
3.	1x Innensechskantschlüssel (# 1,5) 1x Innensechskantschlüssel (# 2) 1x Innensechskantschlüssel (# 2,5) 1x Innensechskantschlüssel (# 3)	8.	Clearaudio Mini Level Gauge
4.	<u>Schrauben für den Klemmring:</u> - 3x Zylinderkopfschraube M4 x 10 <u>Schrauben für Tonabnehmer</u> (keine Abb.) - 2x M2,5 x 12 - 2x M2,5 x 14	9.	TT5 VTA fix
5.	<u>4 Stk. Gegengewichte:</u> 2,3 gr.; 2,6 gr.; 4,3 gr. und 8,0 gr.	10.	Keine Abbildung: Garantiekarte; Bedienungsanleitung, clearaudio Quality Certificate und Rücklieferschein

2. Befestigung des Aluminium-Klemmringses

2.1 Wahl der Tonarmbasis

Möchten Sie den *TT5* unter Verwendung der swing base betreiben, nehmen Sie bitte die Montage, wie in der mitgelieferten Anleitung der swing base beschrieben vor.

Der Klemmring wird in diesem Fall nicht benötigt.

Egal ob Sie den *TT5* mit oder ohne swing base verwenden, die nachfolgende Anleitung zur Einstellung des *TT5* ist für beide Optionen anzuwenden (Ab Punkt 4).

Um den Klemmring zu befestigen prüfen Sie zu erst, ob die richtige Tonarmbasis montiert ist:

Für **clearaudio** Performance DC und Ovation Laufwerke können Sie folgende Tonarmbasen verwenden.

- **Uni concept / Performance DC / Ovation (Art. Nr. AC031-5)**
Diese Basis eignet sich gleichermaßen zur Montage aller **clearaudio** Radial Tonarme und *TT5* Tangential Tonarm ohne zusätzlicher Montage des Klemmrings.
Bitte beachten: Diese Basis ist nicht zur Montage einer swing base geeignet.



Abb. 2: Uni concept / Performance DC / Ovation (Art. Nr. AC031-5)

- **Unify Basis (Art. Nr. AC031-4)**
Zur Montage des Klemmrings oder der **clearaudio** swing base.

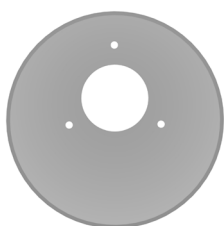


Abb. 3: Unify Basis (Art. Nr. AC031-4)

- Zur Montage des Klemmringses oder der **clearaudio** swing base auf einem Laufwerk der **clearaudio** Innovation Serie benötigen Sie die Unify 12 Zoll Stufenbasis (Art. Nr. AC030-4).

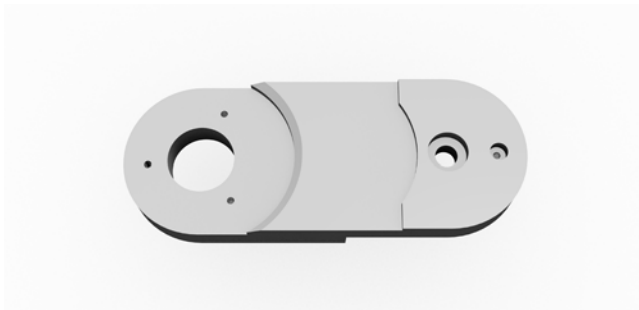


Abb. 4: Unify 12 Zoll Stufenbasis (Art. Nr. AC030-4)

2.2 Montage des Klemmringses

Sollte die Montage des Klemmringses nötig sein gehen Sie bitte folgt vor, ansonsten können Sie mit Punkt 3 fortfahren.

Befestigen Sie den Aluminium-Klemmring auf der sauberen Oberfläche des Laufwerkschassis mit den drei mitgelieferten Zylinderkopfschrauben (M4 x 10) und dem passenden Innensechskantschlüssel (Größe 3). Achten Sie auf passgenauen Sitz und planebene Montageflächen.



Abb. 5: Montage der Klemmbasis



Abb. 6: Befestigen der Klemmbasis

Bitte ziehen Sie alle drei Schrauben fest an (siehe Abb. 6).

Montage des Aluminium-Klemmrings auf einem Laufwerk anderer Hersteller:

Um den Aluminium-Klemmring auf dem Laufwerkchassis anbringen zu können, müssen erst die Bohrungen zur Befestigung angebracht werden. Die Maße zum Anzeichnen der exakten Bohrlochabstände entnehmen Sie bitte der unten abgebildeten Bohrschablone (siehe Abb. 7).

Bitte beachten Sie, dass diese Abbildung nicht maßstabsgetreu ist.

Verwenden sie für die Bohrungen einen 3,3 mm HSS-Spiralbohrer. Anschließend schneiden Sie in die Bohrungen mit einem Gewindebohrer jeweils M4-Gewinde.

Ist das Material das Laufwerkchassis nicht dazu geeignet, es mit Gewinden zu versehen, verwenden Sie bitte einen 4,5 mm HSS-Spiralbohrer, um die Bohrungen durch das Material zu bohren. In diesem Fall können Sie den Klemmring mit handelsüblichen Schrauben in der entsprechenden Länge und den dazu passenden Muttern befestigen (V2A-Inbus).

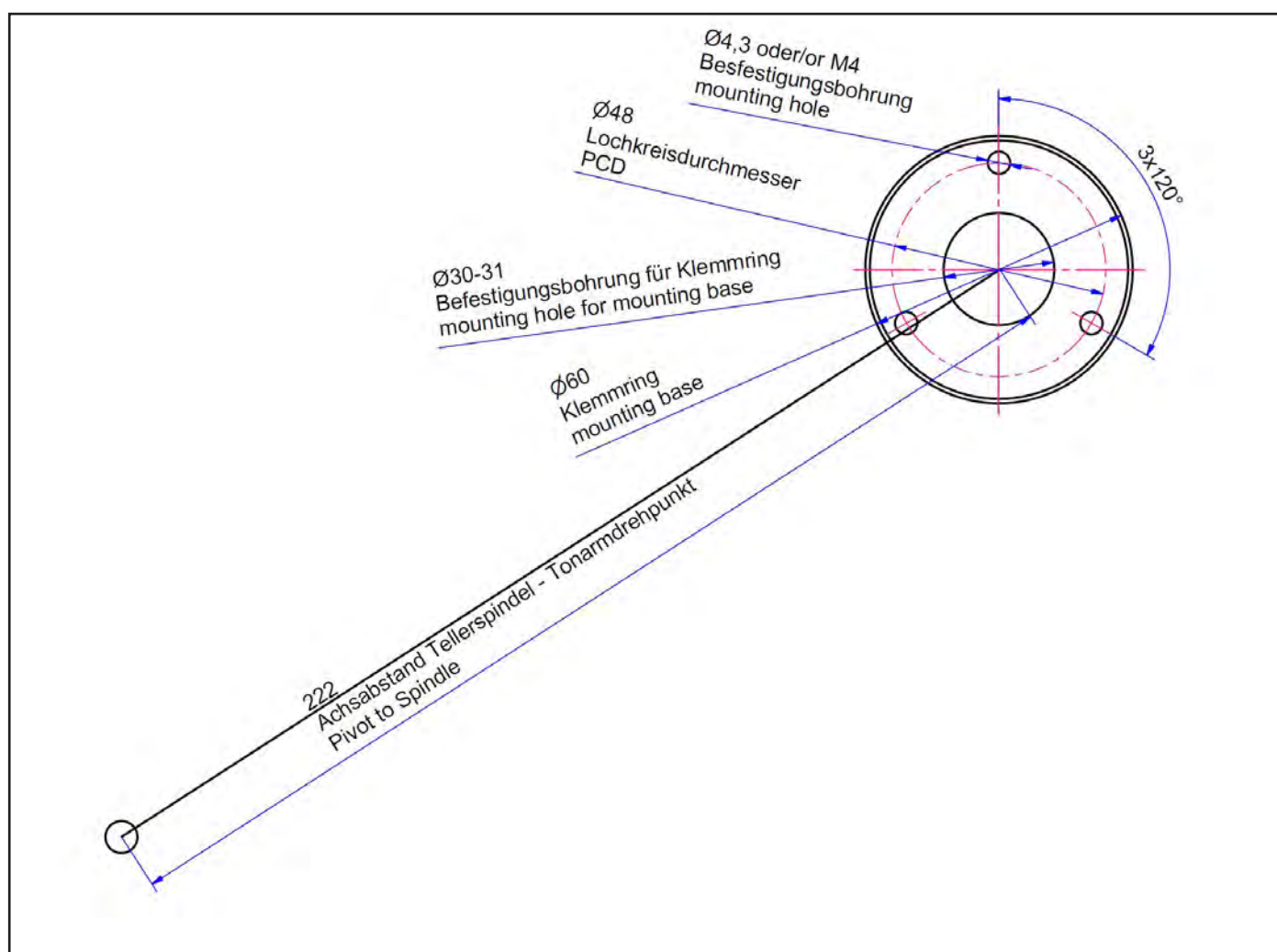


Abb. 7: Montage des Klemmrings auf einem Laufwerk anderer Hersteller

3. Aufsetzen des TT5 Tonarms

Bitte führen Sie zuerst das Tonarmkabel, dann den Fuß des Tonarms durch den Aluminium-Klemmring oder die Tonarmbasis. Anschließend stellen Sie die Höhe und die Position des Tonarmes grob ein und fixieren ihn mit der seitlichen Schraube des Klemmrings oder der Tonarmbasis.



Abb. 8: Montage des Tonarmes

Zur Einstellung des Drehpunktes des Tonarms empfehlen wir die **clearaudio** Drehtonarm Einstellschablone (Art. Nr. AC005/IEC unter www.analogshop.de).

Sie können allerdings hierzu auch ein Lineal benutzen. Der Abstand der Spindel Plattentellers zum Drehpunkt des Tonarms sollte 222 mm als Startmaß für die Justage betragen.

4. Montage des Tonabnehmers

Bitte belassen Sie während der Montage den Nadelschutz auf Ihrem Tonabnehmersystem!

Bitte gehen Sie bei der Montage äußerst vorsichtig vor, um Schäden an Ihrem Tonabnehmersystem zu vermeiden.

Stellen Sie sicher, dass das Headshell nach oben geliftet ist und ausreichend Platz zum Plattenteller vorhanden ist. Nun können Sie den Tonabnehmer mithilfe der mitgelieferten Schrauben (M2,5 x12 oder M2,5 x 14) am Aluminiumheadshell befestigen.

Verbinden Sie anschließend das jeweilige Signalkabel mit den farblich passenden Pins des Tonabnehmersystems. Beachten Sie dabei folgende Farbcodierung:

Rot: rechter Kanal / R+
Grün: rechter Kanal / R-
Weiß: linker Kanal / L+
Blau: linker Kanal / L-

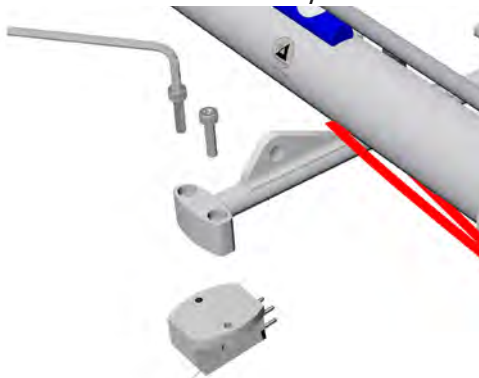


Abb. 9: Montage des Tonabnehmers

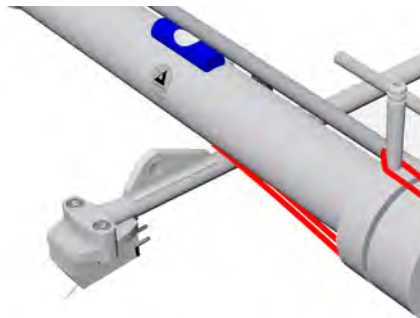


Abb. 10: Montierter Tonabnehmer

Jetzt können Sie den Gummiring, der als Transportsicherung dient, entfernen.

5. TT5 Einstellungen

5.1 Einstellung der Grundposition

Mit der im Lieferumfang enthaltenen alignment gauge messen Sie nun die Distanz von der Nadelspitze bis zur Vorderkante des Tonarmschlittens. Das optimale Maß beträgt 64 mm (siehe Abb. 12).

Zur Korrektur öffnen Sie mit Hilfe des Innensechskantschlüssels # 1,5 leicht beide Schrauben auf der Oberseite des Tonarmschlittens und bewegen das Headshell in die richtige Position.

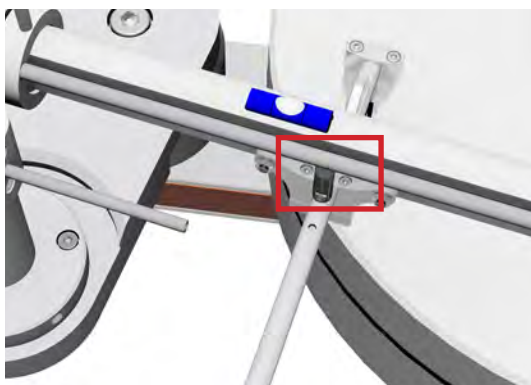


Abb. 11: Schrauben des Tonarmschlittens

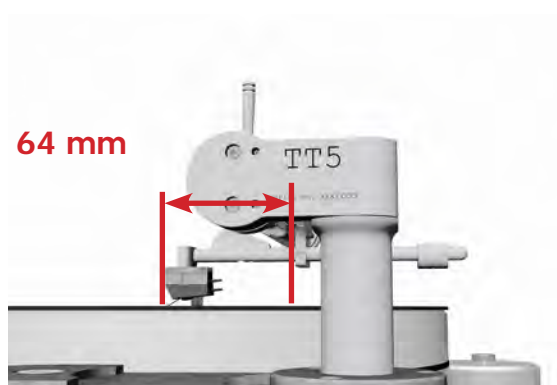


Abb. 12: Grundposition

5.2 Voreinstellung der Auflagekraft

Um die Einstellung vorzunehmen müssen Sie nun den Nadelschutz entfernen. Bitte behandeln Sie das System mit Sorgfalt, um dieses nicht zu beschädigen.

Verwenden Sie eines der mitgelieferten Gewichte, um die Auflagekraft grob einzustellen, indem Sie das Gegengewicht auf das Ende des Tonarmrohres aufschieben (Abb. 13) und mit einem Innensechskantschlüssel #1,5 fixieren (Abb. 14).

Die Wahl des Gegengewichtes ist abhängig vom Eigengewicht des Tonabnehmers.
Unsere Empfehlung:

- Gewicht Gr. 1 ab Tonabnehmergewicht 7 g
- Gewicht Gr. 3 ab Tonabnehmergewicht 8 g
- Gewicht Gr. 4 ab Tonabnehmergewicht 12 g

Dieser Tonarm ist für Tonabnehmer ab 5,5 g Eigengewicht geeignet! Sollte Ihr Tonabnehmer leichter sein, benutzen Sie bitte zusätzlich ein Gewicht zwischen Headshell und Tonabnehmer.

(Headshellplättchen nicht im Lieferumfang enthalten, erhältlich über Ihren Fachhändler oder über **clearaudio** (info@clearaudio.de)).

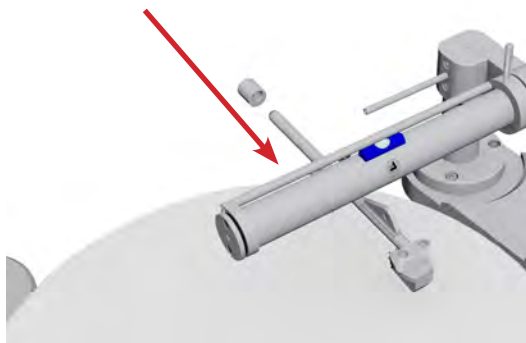


Abb. 13: Montage des Gewichtes

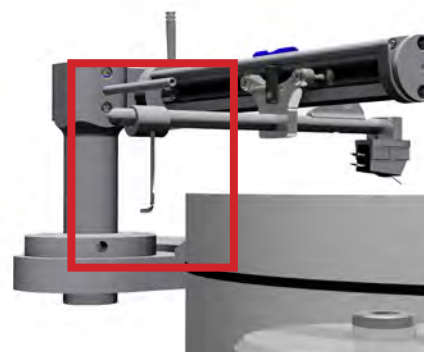


Abb. 14: Festziehen des Gewichtes

5.3 Horizontale Einstellung des Tonarms

Bevor Sie die horizontale Ausrichtung des Tonarmes anpassen, überprüfen Sie zuerst die horizontale Ausrichtung Ihres Laufwerkes.

Nach korrekter horizontaler Justage Ihres Laufwerkes, lockern Sie nun die beiden Schrauben mit einem Innensechskantschlüssel #2 (siehe Abb. 15) um circa eine Umdrehung.

Durch abwechselndes Festziehen der Schrauben können Sie unter Beachtung der eingebauten Wasserwaage den Tonarm in Waage bringen, bis die Blase in der Waage in der Mitte steht.



Abb. 15: Horizontale Einstellung

5.4 VTA-Einstellung

Die **clearaudio** alignment gauge eignet sich zum Einstellen der Tonarmhöhe, da sie der Stärke einer Schallplatte entspricht und die lineare Spur gekennzeichnet ist.

Platzieren Sie die **clearaudio** alignment gauge durch das vorhandene Loch auf dem Dorn des Plattenspielers und richten Sie diese so aus, dass diese in Richtung Tonarmbasis zeigt.

Die enthaltene Mini Level Gauge wird auf das Headshell gelegt (sh. Abb. 16) und durch das Senken des Lifts die VTA Einstellung und gegebenenfalls nachjustiert.

Gehen Sie hierbei wie folgt vor:

- Klemmring / Tonarmbasis:
Lockern Sie die Schraube an dem Klemmring/der Tonarmbasis und bewegen Sie den Tonarm in die entsprechende Richtung, bis die Blase der Mini Level Gauge in ihrem Gehäuse zentriert ist.
- swing base: Heben Sie das Oberteil der swing base an und lockern Sie die Schrauben am Unterteil der swing base und bewegen Sie den Tonarm in die entsprechende Richtung bis die Blase der Mini Level Gauge in ihrem Gehäuse zentriert ist.

Wiederholen Sie den Vorgang bis die gewünschte Ausrichtung erreicht ist.

Fixieren Sie diese eingestellte Position und überprüfen Sie diese erneut.

Damit der VTA während der weiteren Justage des TT5 fixiert werden kann, empfehlen wir die Verwendung des TT5 VTA fix.

Entnehmen Sie hierzu bitte mit dem beiliegenden Innensechskantschlüssel #3 beide Zylinderkopfschrauben M4 aus dem TT5 VTA fix.

Nun legen Sie beide Elemente um den Tonarmfuß eben auf die Tonarmbasis / TT5 swing base und schrauben die beiden Elemente mit den Zylinderkopfschrauben M4 und dem Innensechskantschlüssel #3 handfest zu.

Nun können Sie die Schraube der Tonarmbasis/des Klemmringes bzw. die Schrauben der swing base wieder lösen und mit Punkt 5.5 fortfahren.

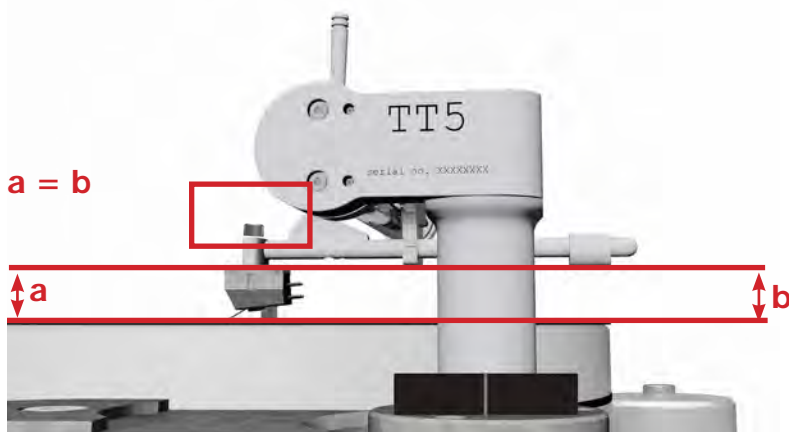


Abb. 16: Einstellung des VTA's mit TT5 VTA fix

5.5 Einstellung des Azimuth

(Vertikale Position des Tonabnehmer - Diamanten in der Rille)

**Bitte gehen Sie während des folgenden Schrittes äußerst vorsichtig vor!
Bitte Tonabnehmersystem während der Justage immer nach oben liften!**

Senken Sie den Tonabnehmer mithilfe des Liftes vorsichtig auf die mitgelieferte Alignment gauge ab. Überprüfen Sie nun von vorne und anhand der Mini Level Gauge die Ausrichtung des Tonabnehmers und justieren diesen gegebenenfalls nach.

Der Tonabnehmer ist optimal eingestellt, wenn dieser senkrecht zur Plattenoberfläche steht (siehe Abb. 17) und die Blase der Mini Level Gauge zentriert ist.

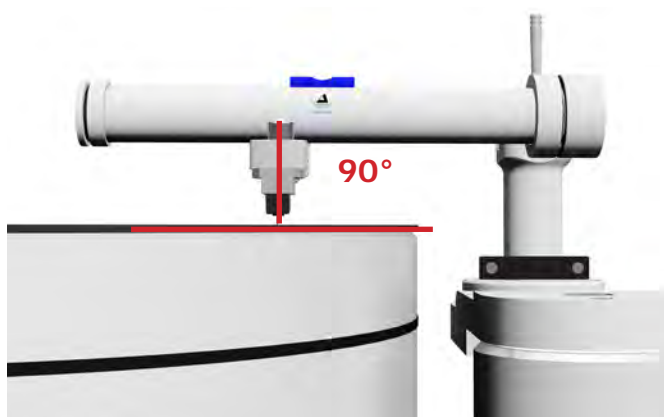


Abb. 17: Optimaler Azimuth



Abb. 18: Einstellung des Azimuth

5.6 Feineinstellung der Auflagekraft

Stellen Sie die korrekte Auflagekraft Ihres Tonabnehmers laut der Herstelleranleitung ein. Zur Einstellung der korrekten Auflagekraft empfehlen wir die digitale Tonabnehmerwaage „Weight Watcher touch“ von **clearaudio** (Art. Nr. AC163 auch erhältlich über www.analogshop.de) (Abb. 19).

Nach Abschluss aller Einstellungen achten Sie bitte darauf, dass das Signalkabel eine gleichmäßige Schlaufe nach hinten bildet.



Abb. 19: Einstellung der Auflagekraft

5.7 Einstellung der Tangentialen

Platzieren Sie die **clearaudio** Alignment gauge erneut durch das vorhandene Loch auf dem Dorn des Plattenspielers und richten Sie diese so aus, dass diese in Richtung der Tonarmbasis zeigt.

Senken Sie mit dem Lift die Nadel „in Höhe der Auslaufrille“ (nahe der Plattenmitte) auf die **clearaudio** Alignment gauge und bewegen Sie diese vorsichtig soweit, bis die Nadelspitze exakt auf der Referenzlinie (siehe Abb. 20 „rote Linie“) sitzt.

Heben Sie den Tonabnehmer wieder an und führen ihn „auf die Höhe der Einlaufrille“ (Abb. 21). Dort senken Sie ihn erneut ab.

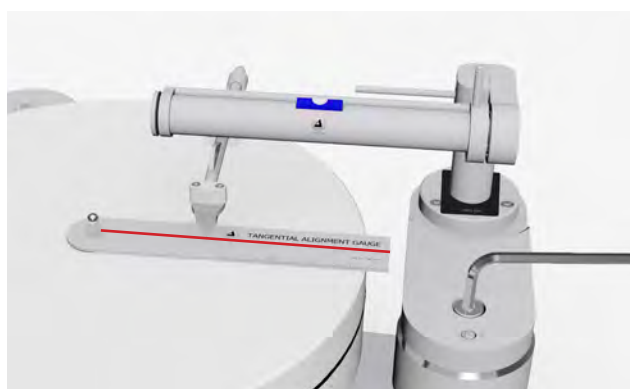


Abb. 20: Einstellung der Tangentialen

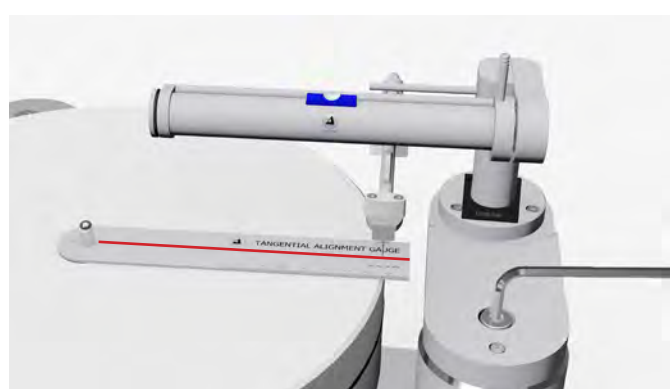


Abb. 21: Einstellung der Tangentialen

WICHTIG:

Bewegen Sie niemals den Tonabnehmer in der Justageschablone während dieser abgesenkt ist!

Bei fehlender Parallelität der Nadel zur Referenzlinie, drehen Sie die Tonarmbasis in die entsprechende Richtung, fixieren Sie diese leicht und überprüfen Sie Ihr Ergebnis erneut.

Wiederholen Sie diesen Vorgang bis die Nadelspitze perfekt in allen Positionen in der Referenzlinie der Einstellschablone sitzt.

Ziehen Sie abschließend die Schraube/Schrauben der Tonarmbasis handfest an, um Ihr Ergebnis zu fixieren.

Überprüfen Sie nun alle Einstellungen, wie ab Punkt 5 beschrieben und wiederholen Sie gegebenenfalls die Justage nochmals.

Nach Einstellung der Tangentialen fixieren Sie den Tonarmfuß über die Tonarmbasis/ Klemmring / TT5 swing base.

Abschließend entfernen Sie den TT5 VTA fix, indem Sie mit dem Innensechskantschlüssel #3 die Zylinderkopfschrauben M4 lösen.

Der **clearaudio** TT5 Tonarm ist nun komplett justiert und spielbereit.

6. Fehlerbehebung

Sollten Sie ein Problem mit Ihrem 775 Tonarm haben, überprüfen Sie zuerst mögliche Ursachen, um eine Fehlbedienung auszuschließen.

Sollte der Fehler weiterhin bestehen, wenden Sie sich bitte an Ihren Händler!

Versuchen Sie niemals das Produkt zu öffnen und/oder selbst zu reparieren, dies führt zu Garantieverlust!

Fehler	Ursache	Maßnahme
Nadel hüpfet oder rutscht über die Platte	Ist die Schallplatte oder der Nadelträger verschmutzt oder beschädigt?	Reinigen Sie die Schallplatte / bzw. den Tonabnehmer. Clearaudio bietet viele hilfreiche Zubehörprodukte zur Pflege und Reinigung an. Bei Beschädigung empfehlen wir eine Begutachtung durch einen Spezialisten und ggfs. einen Austausch.
	Ist eine zu hohe/niedrige Auflagekraft eingestellt?	Kontrollieren und justieren Sie die Auflagekraft nach wenn nötig. Verwenden Sie hierfür nur geeignetes Messmittel, z.B. clearaudios „Weight Watcher touch“ oder „Smart Stylus Gauge“.
	Ist die Platte verformt oder verkratzt?	Verwenden Sie eine Plattenklemme oder ersetzen Sie die Schallplatte.
	Ist der Plattenspieler in Waage?	Überprüfen Sie die Ausrichtung des Plattenspielers und justieren Sie diese, wenn nötig nach.
Wägelchen bleibt hängen	Wurden alle Einstellungen während der Montage korrekt vorgenommen?	Überprüfen Sie alle Einstellungen und justieren diese, wenn nötig nach.
	Ist das Glasrohr verschmutzt?	Verwenden Sie Wattestäbchen und einen handelsüblichen Glasreiniger zur Reinigung des Glasrohrs. Geben Sie etwas Glasreiniger auf das Wattestäbchen und führen Sie dieses mit einer Bewegung von „Einlauf-“ zur „Auslauf-Rille“ (Tellerkante bis Plattentellermitte) durch das Glasrohr.
	Ist der Tonarm in Waage?	Überprüfen Sie die Ausrichtung des Tonarms und justieren Sie diese wenn nötig nach.
	Ist der Plattenspieler in Waage?	Überprüfen Sie die Ausrichtung des Plattenspielers und justieren Sie diese, wenn nötig nach.



7. Technische Daten

Konstruktionsprinzip:	Tangential-Tonarm Rein mechanischer und passiver Antrieb durch trocken laufende Kugellager in kalibrierten und poliertem Glasrohr
Material:	Aluminium (schwarz/silber), Edelstahl, Glas
Justierbare Tonabnehmer:	5,5 g - 15 g
Tonarmaufnahmebohrung:	Auf Anfrage
Signalkabel:	1,1 m Super Sixstream konfektioniert mit Cinch
Gewicht:	ca. 520 g (ohne Aluminium-Klemmring) Aluminium-Klemmring: 65 g
Abmessungen (B/T/H):	ca. 200 x 140 x 140 mm (inklusive Headshell)
Herstellergarantie:	5 Jahre*

* Nur bei korrekt ausgefüllter und eingesandter Garantiekarte an **clearaudio** oder online registrierter Garantie innerhalb von 14 Tagen (<https://clearaudio.de/de/service/registration.php>).

The full, extended warranty period for the 775 tangential tonearm is 5 years.

To receive this full **Clearaudio** warranty, you must either complete and return the relevant section of the warranty registration card to **Clearaudio**, or register your product online at <https://clearaudio.de/en/service/registration.php>, within 14 days of purchase. Otherwise only the legal warranty of 1 years can be considered.

The full 5 year warranty can only be honoured, if the product is returned in its original packing.

Um für den 775 Tangential Tonarm die volle **clearaudio** Garantie von fünf (5) Jahren in Anspruch nehmen zu können, senden Sie uns bitte die beigelegte Garantiekarte innerhalb von zwei Wochen korrekt und vollständig ausgefüllt zu oder registrieren Sie das Produkt online unter <https://clearaudio.de/de/service/registration.php>, da sonst nur die gesetzliche Gewährleistung von einem (1) Jahr berücksichtigt werden kann.

Nur, wenn das Produkt in der Originalverpackung zurückgeschickt wurde, kann **clearaudio** die volle Garantiezeit gewährleisten.

ENGLISH WARRANTY

For warranty information, contact your local **Clearaudio** distributor.

RETAIN YOUR PURCHASE RECEIPT

Your purchase receipt is your permanent record of a valuable purchase. It should be kept in a safe place to be referred to as necessary for insurance purposes or when corresponding with **Clearaudio**.

IMPORTANT

When seeking warranty service, it is the responsibility of the consumer to establish proof and date of purchase.

Your purchase receipt or invoice is adequate for such proof.

FOR U.K. ONLY

This undertaking is in addition to a consumer's statutory rights and does not affect those rights in any way.

FRANÇAIS GARANTIE

Pour des informations sur la garantie, contacter le distributeur local **Clearaudio**.

CONSERVER L'ATTESTATION D'ACHAT

L'attestation d'achat est la preuve permanente d'un achat de valeur. La conserver en lieu sûr pour s'y reporter aux fins d'obtention d'une couverture d'assurance ou dans le cadre de correspondances avec **Clearaudio**.

IMPORTANT

Pour l'obtention d'un service couvert par la garantie, il incombe au client d'établir la preuve de l'achat et d'en corroborer la date. Le reçu ou la facture constituent des preuves suffisantes.

DEUTSCH GARANTIE

Bei Garantiefragen wenden Sie sich bitte zunächst an Ihren **Clearaudio** Händler. Heben Sie Ihren Kaufbeleg gut auf.

WICHTIG!

Die Angaben auf Ihrer Quittung erlauben uns die Identifizierung Ihres Gerätes und belegen mit dem Kaufdatum die Dauer Ihrer Garantie-Ansprüche. Für Serviceleistungen benötigen wir stets die Gerätenummer. Diese finden Sie auf dem Typenschild auf der Rückseite des Gerätes oder auch in der beigelegten Garantie-Registriertkarte.

NEDERLANDS GARANTIE

Voor inlichtingen omtrent garantie dient u zich tot uw plaatselijke **Clearaudio**.

UW KWITANTIE, KASSABON E.D. BEWAREN

Uw kwitantie, kassabon e.d. vormen uw bewijs van aankoop van een waardevol artikel en dienen op een veilige plaats bewaard te worden voor evt, verwijzing bijv, in verbend met verzekering of bij correspondentie met **Clearaudio**.

BELANGRIJK

Bij een evt, beroep op de garantie is het de verantwoordelijkheid van de consument een gedateerd bewijs van aankoop te tonen. Uw kassabon of factuur zijn voldoende bewijs.



Loving music

User manual / Bedienungsanleitung



ITALIANO

GARANZIA

L'apparecchio è coperto da una garanzia di buon funzionamento della durata di un anno, o del periodo previsto dalla legge, a partire dalla data di acquisto comprovata da un documento attestante il nominativo del Rivenditore e la data di vendita. La garanzia sarà prestata con la sostituzione o la riparazione gratuita delle parti difettose. Non sono coperti da garanzia difetti derivanti da uso improprio, errata installazione, manutenzione effettuata da personale non autorizzato o, comunque, da circostanze che non possano riferirsi a difetti di funzionamento dell'apparecchio. Sono inoltre esclusi dalla garanzia gli interventi inerenti l'installazione e l'allacciamento agli impianti di alimentazione.

Gli apparecchi verranno riparati presso i nostri Centri di Assistenza Autorizzati. Le spese ed i rischi di trasporto sono a carico del cliente. La casa costruttrice declina ogni responsabilità per danni diretti o indiretti provocati dalla inosservanza delle prescrizioni di installazione, uso e manutenzione dettagliate nel presente manuale o per guasti dovuti ad uso continuato a fini professionali.



ESPAÑOL

GARANTIA

Para obtener información acerca de la garantía póngase en contacto con su distribuidor **Clearaudio**.

GUARDE SU RECIBO DE COMPRA

Su recibo de compra es su prueba permanente de haber adquirido un aparato de valor, Este recibo deberá guardarlo en un lugar seguro y utilizarlo como referencia cuando tenga que hacer uso del seguro o se ponga en contacto con **Clearaudio**.

IMPORTANTE

Cuando solicite el servicio otorgado por la garantía el usuario tiene la responsabilidad de demostrar cuándo efectuó la compra. En este caso, su recibo de compra será la prueba apropiada.



Loving music



Loving music

clearaudio electronic GmbH

Spardorfer Straße 150
91054 Erlangen
Germany

Phone /Tel.: +49 9131 40300 100

Fax: +49 9131 40300 119

www.clearaudio.de

www.analogshop.de

info@clearaudio.de



Handmade in Germany

Clearaudio Electronic accepts no liability for any misprints.

Technical specifications are subject to change or improvement without prior notice.

Product availability is as long as stock lasts.

Copies and reprints of this document, including extracts, require written consent from

Clearaudio Electronic GmbH, Germany.

Änderungen bleiben vorbehalten. Lieferbar solange Vorrat reicht. Für Druckfehler keine Haftung.
Irrtümer vorbehalten- Kopien und Abdrucke – auch nur auszugsweise – bedürfen der schriftlichen
Genehmigung durch die **clearaudio electronic GmbH, Deutschland.**

2022