



Loving music

# Double Matrix Professional

Double sided record cleaning machine

---

**User manual**



**Made in Germany**

---

Hi-Fi Components **clearaudio<sup>®</sup> electronic** GmbH

Spardorfer Str. 150 • D-91054 Erlangen • Tel. +49 9131/40300100 • FAX +49 9131/51683  
[www.clearaudio.de](http://www.clearaudio.de) • [www.analogshop.de](http://www.analogshop.de) • [info@clearaudio.de](mailto:info@clearaudio.de) / copyright clearaudio© 2013

Version 1.7\_13.11.22\_E



# Double Matrix Professional

User manual

**Dear clearaudio customer,**

Congratulations on the purchase of your new *Double Matrix Professional* record cleaning machine, an extraordinary product made by **Clearaudio**.

The cleaning of dirty or used records improves the overall sound quality. This also applies to new vinyl records as there is often residue left over from the pressing process.

**Please read this user manual with great care, to avoid misuse or void of warranty.**

## **Why Double Matrix Professional?**

Many analog and music lovers, as well commercial and professional organisations asked us how it is possible to clean vinyl records both thoroughly and quickly, and if placing the just-cleaned side of the record on the potentially dirty turntable platter can be avoided during the process.

It is obvious when cleaning large numbers of records, especially under commercial circumstances, that time is money.

To achieve this goal **Clearaudio** set about designing a semi-automatic record cleaning machine that would perfectly clean both LPs and EPs, eliminate any electrostatic charge, without the need to flip the record over and complete this process within one minute. This required a revolutionary and outstanding product to be developed. An intensive research and development program led **Clearaudio** to achieve not only these criteria but also the additional goals of efficiency, easy-of-use and longevity. The result is the **Clearaudio Double Matrix Professional**.

## **Materials and craftsmanship**

The **Clearaudio Double Matrix Professional** is massively constructed from the highest grade of materials and components. The rigid housing is machined from 4.5 mm thick aluminum plates and the platter is made out of 10 mm thick aluminum. The corner poles, feet and the fluid tank are made out of very rigid materials. This contributes towards the substantial total weight of approximately 16.5 kg.

The following pages will explain how to operate your **Clearaudio** record cleaning machine correctly.

We wish you years of satisfaction from your new **Clearaudio Double Matrix Professional**.

## Directory

<b>1. Package contents</b>	<b>4</b>
<b>2. Features overview</b>	<b>5</b>
<b>3. Set up</b>	<b>6</b>
<b>4. Operational controls and functions</b>	<b>7</b>
<b>5. Beginning of operation</b>	<b>11</b>
<b>6. Machine maintenance</b>	<b>13</b>
<b>7. Service information</b>	<b>16</b>
<b>8. Technical data</b>	<b>17</b>
<b>Warranty information</b>	<b>18</b>

### Important note!



Pic. 1: Warning

## 1. Package contents

The **Clearaudio** *Double Matrix Professional* is delivered in bespoke packing. Carefully remove the record cleaning machine from the packing and place it on a safe and stable surface.

Please check if the *Double Matrix Professional* has suffered any damage in transit. Next gently remove the blue securing adhesive tape. Any adhesive residue from the tape can be easily rubbed off by hand.

**We advise that you keep the original packing to avoid any unnecessary damage should the machine need to be transported in the future.**

Please check the package contents of your *Double Matrix Professional*.



**Pic.2:** Package contents

- 1. Complete pre-installed *Double Matrix Professional* machine**
- 2. Seal Clamp**
- 3. Filling funnel**
- 4. Power cord**
- 5. 4 pcs. spare microfiber strips**
- 6. 250 ml Pure Groove cleaning fluid**
- 7. Cover for cleaning fluid reservoir**  
(already installed)
- 8. Fluid release knob**  
(already mounted on the rubber tube)
- 9. Single Adapter**
- 10. Warranty card \***  
\* see page 18 for warranty information.

If any of the contents are missing please contact the **Clearaudio** dealer where you purchased the *Double Matrix Professional*.



## 2. Features - overview

### ⇒ Both sides cleaned simultaneously

Due to the sophisticated design of the wash and vacuum arms it is now possible to clean both sides of your precious vinyl at once.

A sophisticated magnetic mechanism is used to ensure constant brush pressure resulting in more consistent performance as well as improved speed of use.

### ⇒ Left-right turn switch

The best cleaning results are obtained by cleaning in both directions.

### ⇒ Continuously variable speed regulation

By providing variable speed rotation the dirtiest records can be cleaned at a slower speed preserving both the microfiber strips and your record.

### ⇒ Cleaning of LPs, EPs and Singles

The *Double Matrix Professional* is able to clean all these formats without any additional accessories. You even do not need to change the cleaning vacuum arms for the different formats.

### ⇒ Excellent cleaning

The *Double Matrix Professional* cleaning process raises the audible improvements to a new level that regular cleaning machines do not reach. This is proven by our laboratory measurements.

### ⇒ No platter

The vinyl records are not placed on any potentially dirty surface such as a turntable platter but are supported on a label-sized platform. The integrated cleaning and vacuum brushes stabilize the vinyl disc during the cleaning process and the record labels are completely protected both above and below by two of the highly regarded **Clearaudio** Seal Clamps.

### ⇒ Cleaning in half of the time

Both sides of any record are cleaned simultaneously reducing cleaning time by at least 50%. Especially in commercial use, this is an unbeatable advantage.

### ⇒ Integrated filter

To avoid contamination by dust or other particles the *Double Matrix Professional* has an integrated micro filter ensuring a long life for the cleaning brushes and your vinyl.

### ⇒ Ease of use

The cleaning process and maintenance procedures are particularly easy and user-friendly.

### ⇒ Perfect cleaning fluid control

Unlike many other machines on the market only the fluid that is required will be dispensed. This is achieved by two electronically controlled magnetic valves which also ensure that no fluid is able to transfer while vacuuming.

### ⇒ Antistatic brush

The high efficiency antistatic brush completely discharges static and may be used separately from the cleaning process.

### ⇒ Noise reduction

The *Double Matrix Professional* is acoustically damped for low noise levels during use.

## 3. Set up

Place the *Double Matrix Professional* on a stable surface such as a table or rack. Please note that due to the weight of the *Double Matrix Professional* it could damage soft surfaces, or through movement of the *Double Matrix Professional* the surface could suffer scratches. Please make sure that the surface is able to withstand temperatures of up to 60°C.



### 3.1 Connecting the mains power

Connect the supplied power cord first to the IEC connector at the rear panel of the *Double Matrix Professional* then connect it to the power outlet. **Please make sure that the appropriate connector is used and that the voltage is correct.** Please refer to the type sticker next to the IEC connection.

The best results will be achieved when the *Double Matrix Professional* is used in a room temperature of between 15°C and 30°C.



Pic.3: Rear view



Pic.4: Connection

### 3.2 Switch On

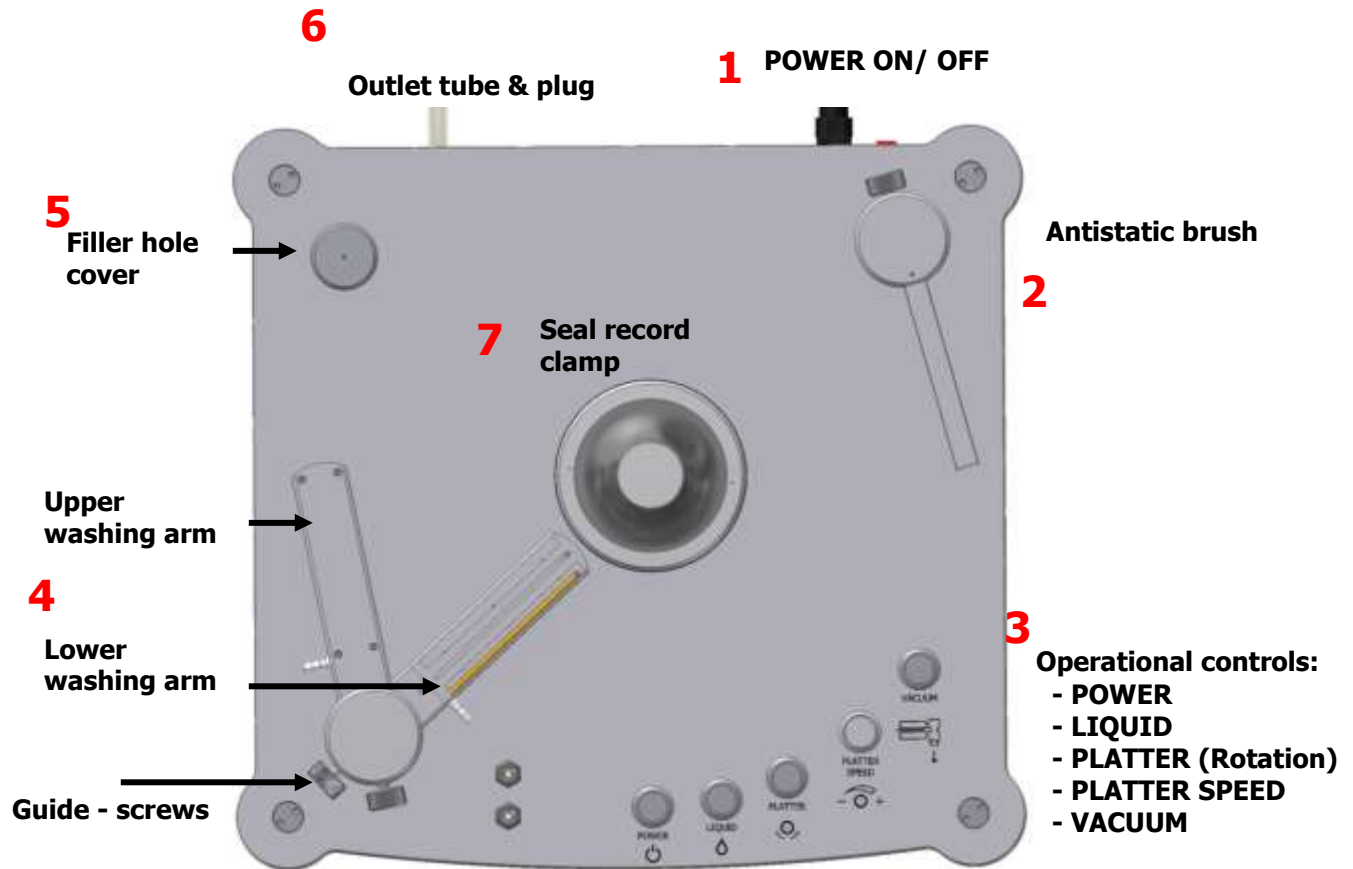
Next to the IEC connector is the mains power switch (pic. 4). When the unit is switched on the red light of the switch is illuminated.

**Make sure that the appropriate connector is used and that the voltage is correct!**

Now your *Double Matrix Professional* is ready to be used.

**Before use please finish reading the complete user manual!**

## 4. Operational controls and functions



Pic.5: Top view

Please familiarize yourself with all the operational controls which are described in detail over the following pages.

### 1

#### Power connection on the rear panel

If the unit is switched on the red light of the switch is illuminated.

**If the machine is not in use for a long time please switch it off at the rear panel.**

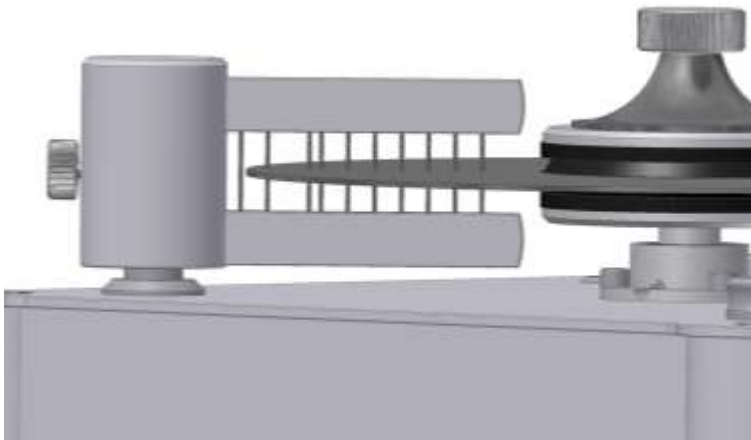


Abb. 5 a: Power connection on the rear panel

## 2

### Antistatic brush

The antistatic brush (Pic. 6) is used to discharge any electrical charge that may be present or that is generated while cleaning. After vacuuming make sure that the record surface is completely dry then place the antistatic brush in position by rotating it clockwise (towards the record). Leave it in place for at least one complete revolution.



**Pic.6:** Use of Antistatic brush

This Function can be used to remove static even if you did not clean the record. If the carbonfiber brush hairs do not make good contact with the record surface use a comb to put the carbon hairs back in position.

## 3

### Operational controls



**Pic. 7:** Operational controls



**POWER** = Starts and stops the *Double Matrix Professional*

**LIQUID** = Automatically applies fluid via the washing arms

**PLATTER** = Clockwise / counter-clockwise rotation of the platter

**PLATTER SPEED** = Continuously variable speed regulation of the platter for selective cleaning

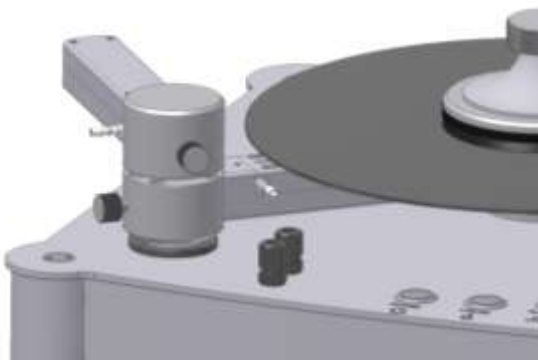
**VACUUM** = Activate the removal of the fluid

## 4

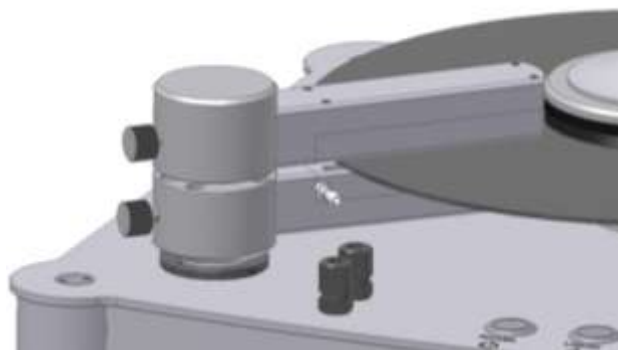
### Upper and lower cleaning arms

The upper and the lower cleaning arms perform the functions of applying the cleaning fluid, cleaning and vacuum drying. When the upper cleaning arm is in its working position (pic. 9) there is a constant pressure on the record. In the rest position (pic. 8) the upper and the lower cleaning arms are automatically retracted from the record. The upper cleaning arm (pic. 10) can be rotated 90°. The lower cleaning arm cannot be moved. The magnetic mechanism automatically raises the lower arm to the operating position when the upper arm is swung into operating position above it.

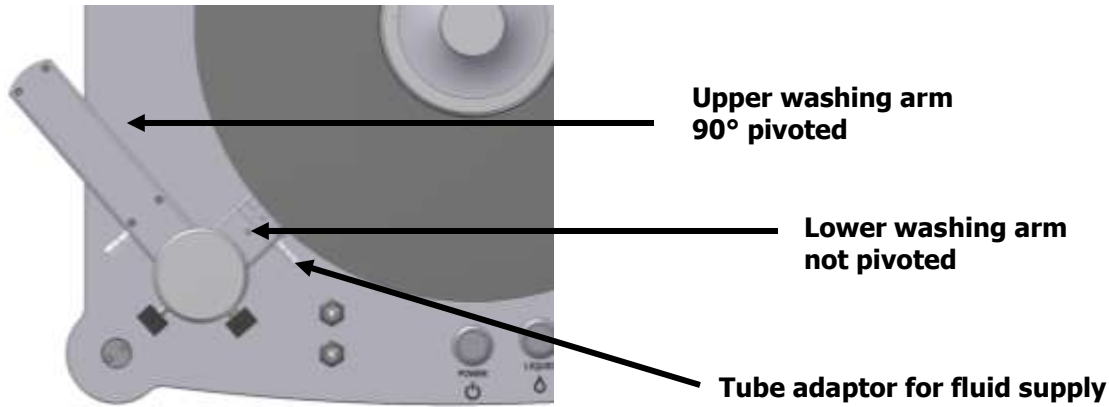
On each side of the lower cleaning arm (pic. 10) are the fluid drains. These provide built-in protection against spillage if too much fluid is used while cleaning. Excess fluid will automatically run through the blue tube back into the reservoir.



**Pic. 8:** Rest position



**Pic. 9:** Working position



Pic. 10:Washing arm

## 5

### Cover filler hole

Using the supplied funnel carefully fill the fluid reservoir with **Clearaudio** Pure Groove record cleaning fluid.

## 6

### Outlet tube & plug

By pulling out the plug you can empty the used cleaning fluid out of the fluid tank (see page 14).

## 7

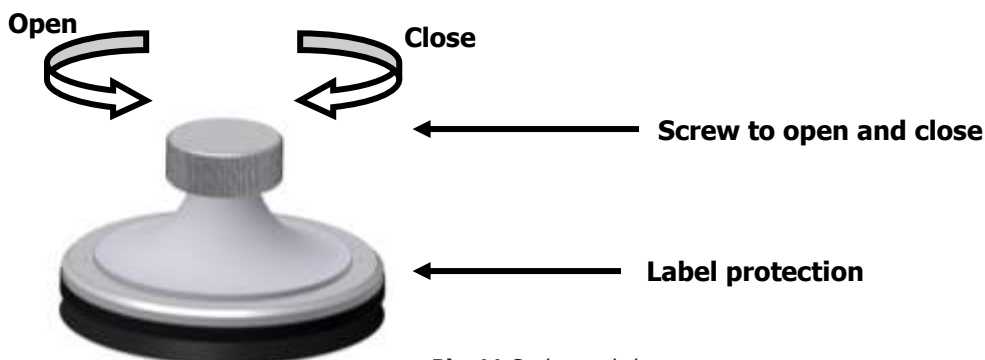
### clearaudio Seal record clamp

The **Clearaudio** Seal record clamp (pic.11) has been developed to cover and protect the record label and to hold the records securely.

On the outer aluminum ring are two small vacuum release holes. This makes it easier to release the clamp after the cleaning process.

#### Important!

Please place the Seal record clamp with some pressure on the record in order to avoid unwanted record slipping!



Pic. 11:Seal record clamp



## 5. Operation

### 5.1 Cleaning fluid reservoir filling

We recommend only using **Clearaudio** Pure Groove cleaning fluid for perfect results and for the safety of your records (available from: [www.analogshop.de](http://www.analogshop.de)).

#### **Attention:**

**Foaming fluid can damage the machine and void the warranty!**

The cleaning fluid reservoir has a maximum capacity of **0.35 liter**. Open the fluid reservoir by removing the round cover. Using the supplied funnel carefully fill the reservoir. There is no need to worry if you over-fill the tank; just wipe off the excess fluid with a cloth.

### 5.2 Record cleaning, vacuum drying, electrostatic discharging

**For the very first record cleaning process we suggest you use a defective or very used record in order to become familiar with the machine.**

1. Rotate the upper arm counter-clockwise, to the left side.
2. Remove the record clamp by twisting the locking knob counter-clockwise (pic. 11, page 10). Place the record over the spindle and replace the record clamp. Tighten it firmly so that the record cannot slip while vacuuming.
3. Position the upper arm over the record by swinging it clockwise 90°. The cleaning arms will be magnetically attracted together.
4. Press the button marked 'LIQUID'. This will fill the rubber tubes with cleaning fluid. Wait until the fluid comes out of the cleaning arms onto the upper and lower surface of the record. The microfiber brushes should be wet before starting the platter rotation.

**Important: Press the 'LIQUID' button for a maximum of one turn.  
Do not press the button again!**

4. To start the platter revolving press the 'POWER' button. By using the 'PLATTER SPEED' control you can vary the speed of the platter and therefore the cleaning process of your record. The combination of quantity of fluid dispensed and speed of revolution should be adjusted so that the fluid forms a complete unbroken surface across the record.

5. Depending on the dirtiness of the record let the platter rotate 3 to 5 times in each direction.

**Caution:** Please ensure that there is enough fluid on the record surface.

**For a very intense clean, you can stop the platter during the cleaning process and wait 30 to 60 seconds for the fluid to fully absorb any contaminants.**

## 5.3 Vacuum drying

6. To achieve a perfect result, proper vacuuming is necessary. Press the 'VACUUM' button to start the vacuum drying process.

7. When the record is dry always switch off the vacuum first, then pull the upper cleaning arm upwards and swing it back to the left to its rest position.  
Finally stop the platter using the 'POWER' button.

### **Important!**

**The cleaning arm should always be placed back in its rest before stopping the platter.  
After vacuum drying never change the platter direction.**

8. Position the antistatic brush over the record by lifting the brush up and swinging it towards the record. Let the platter turn for at least one more complete revolution.

You should perform this procedure after every cleaning process.

After the antistatic procedure place the antistatic brush back in its rest position and switch off the platter.

**Never use the antistatic brush when the record is wet!**

**Now remove the record and enjoy a cleaner window to the music.**

## 5.3 Further care instructions

1. Never use the antistatic brush on wet records.
2. Dust and dirt will build up on the microfiber strips and should be removed after every use. We recommend using a clean and soft cloth.
3. Please change the microfiber strips at regular intervals, especially if you use the machine very often.



## 6. Machine maintenance

### 6.1 Changing the microfiber strips

This procedure will be easier if you remove the upper cleaning arm.

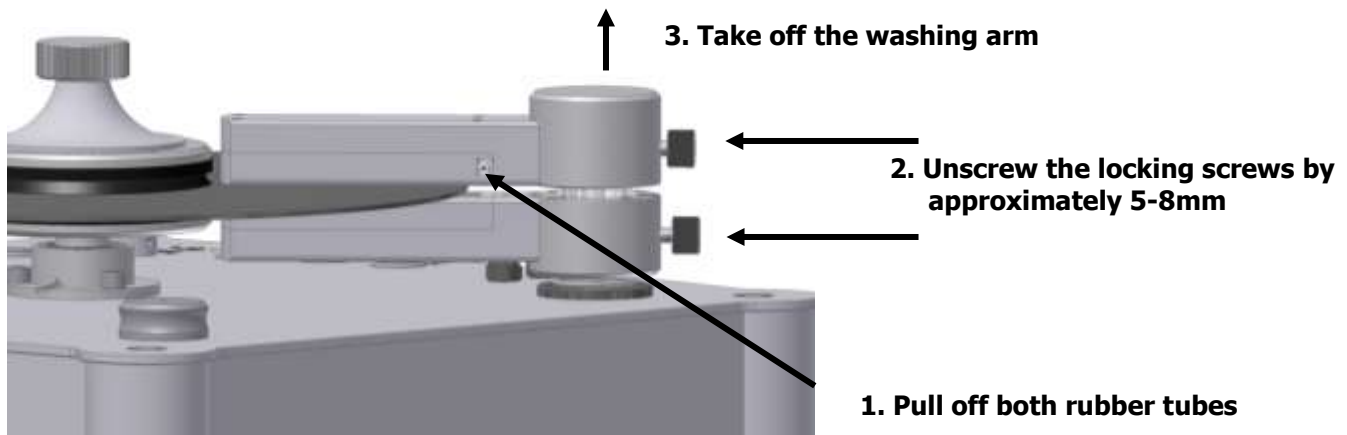
#### Releasing the upper cleaning arm

First take the rubber tube off of the upper cleaning arm (pic. 12, no.1).

Now release the positioning screws by turning them counter-clockwise until they stand 5 - 8mm further out of the housing. It is not a problem if you release the screws completely (pic. 12, no.2).

Now you will be able to remove one or both cleaning arms. (pic. 12, no. 3)

To prevent any scratches place them on a soft surface.



Pic. 12: Washing arms

Before removing the old microfiber strips, carefully note their exact position on the cleaning arms. Peel off the old strips and clean away any adhesive residue. The surface must be clean and dry. Remove the protection foil, place the new microfiber strips in position and press the gently onto the cleaning arms.

#### Attention!

**Do not place the strips over the small fluid dispensing holes.**

After changing the microfiber strips reinstall the cleaning arms by reversing the process described above.

### 6.2 Self-cleaning procedure

**Do not place a record onto the machine during the self-cleaning process.**

Depending on the dirtiness of the records after cleaning several records you should clean your cleaning arms as dust and dirt may lessen the cleaning performance.

1. Place the upper cleaning arm in the working position over the lower one.
2. Press the 'LIQUID' button for a few seconds to wet the microfiber strips.
3. Press 'VACUUM' for a few seconds to dry the strips.
4. The self-cleaning process is complete.

## 6.3 Waste fluid tank

The waste fluid tank has a capacity of 0.75 liter, which should allow 100 records to be cleaned before it needs emptying. Of course this depends on the amount of fluid used for each cleaning. If you clean more than 20 records in one day you should also empty the waste fluid tank at the end of that day.

## 6.4 Draining and cleaning of the waste fluid tank

### Draining the waste fluid tank

Place a suitable container on the floor for the waste fluid. Remove the cap from the rubber tube at the rear of the machine and place the tube into the disposal container. Tilt the machine towards the back (about 45°) until the fluid drains out of the tube.

### Attention!

**The rubber tube should only be opened for fluid release! When finished, always securely reseal the tube with the cap!**

**Do not reuse the used fluid!**

### Cleaning the waste fluid tank

Remove the upper cleaning arm and pour cleaning fluid into the stainless steel tube. A mixture of water and vinegar works well.

### Attention!

**During the cleaning process, never switch on the vacuum!**

Let the fluid rest in the tank for about 20 minutes then drain as explained above.



**Pic. 13** Rubber tube seal

## Draining the cleaning fluid reservoir

If your *Double Matrix Professional* ever needs to be transported make sure that there is no fluid left in it.

It may be necessary to empty both the waste fluid tank and cleaning fluid reservoir.

Pull off the two rubber tubes from the cleaning arms and place them into a suitable container. Push the 'LIQUID' button to pump the fluid into the container until there is no fluid left.

Push the rubber tubes back onto the cleaning arms.

**If you do not use the machine for a long period we recommend draining both the waste fluid tank and cleaning fluid reservoir and disconnect it from the mains.**



## 7. Warranty information

The warranty period for the *Double Matrix Professional* is two years.

You can achieve the extended Clearaudio warranty time of three years, if you fill out the warranty card and send it to the following address within two weeks after purchase:

clearaudio electronic GmbH  
Spardorfer Str. 150  
91054 Erlangen  
Germany

Please note: if fluids which produce foam or which are acid-based have been used, or if the precautions which have been mentioned in this instruction manual have not been followed, the warranty will be void.

The *Double Matrix Professional* should only be repaired by **Clearaudio** approved institutions or persons, or by **Clearaudio**, otherwise the warranty will be void.

For your own safety a frequent visual check of the mains cable is suggested. If any damage should occur, repair or exchange should be done immediately using an approved electrician or institution! Any service of **Clearaudio** products should only be done through certified **Clearaudio** dealers.

If damage for any reason should occur where repair to the machine is necessary, it should be sent to the selected dealer, distributor or directly to:

clearaudio electronic GmbH  
Spardorfer Str 150  
91054 Erlangen  
Germany

Tel/Phone: +49 9131/40300100

[www.clearaudio.de](http://www.clearaudio.de)

[www.analogshop.de](http://www.analogshop.de)

[info@clearaudio.de](mailto:info@clearaudio.de)

If a warranty repair is accepted by **Clearaudio** the repair will be free of charge during the warranty period.

If you transport or ship the **Clearaudio** *Double Matrix Professional* machine for any reason, the original packaging must be used. Please pack the machine as it was packed originally by **Clearaudio** to ensure secure transport.

### Legal disclaimer:

**Clearaudio** refuse to cover any claims or damage to records or any other damage that have been caused by misuse or mishandling of the *Double Matrix Professional* machine!



## 8. Technical Data

Construction:	The <i>Double Matrix Professional</i> is a bi-directional fully automatic record cleaning machine including vacuum record drying.
Weight:	approx. 16.5 kg
Dimensions (LxWXH) mm:	410 x 385 x 175
Dimensions (LxWxH) inches:	16.14 x 15.16 x 6.89
Total height:	265 mm / 10.43 inches (incl. record clamp)
Warranty:	three years* (see section 7)
Total power consumption:	500 Watt
Power while suction:	400 Watt
Off mode:	0 Watt (by switching off at the rear of the machine)
Noise level:	approx. 60 – 65 db
Further accessories:	Dust cover (Art. No. AC127) "Pure Groove" record cleaning fluid (Art. No. AC084) available at: <a href="http://www.analogshop.de">www.analogshop.de</a>

\* applies only if warranty card has been filled out and sent to **Clearaudio** in within two weeks (see section 7)

### Attention:

This machine is designed to be used in heated or climate controlled surroundings.  
Never touch the power cable with wet hands or other wet body parts!  
Never place or use any equipment with open flames, such as candles, on top of this equipment!



The **Clearaudio** *Double Matrix Professional* is approved according to the regulations of the CE certification and other international standards and approvals.

**Clearaudio** electronic is not responsible for typographical errors in descriptions. Technical specifications subject to change or improvement without prior notice. Availability as long as stock lasts. Copies and imprints- also only in extracts – require written conformation through **Clearaudio** electronic GmbH; Germany

© clearaudio electronic GmbH 2013





To achieve the full **Clearaudio** warranty, it is necessary that you fill out and send the corresponding part of the warranty registration certificate /card back to clearaudio, within two weeks after purchase.

Only if the product is returned in it's original packing clearaudio can provide the warranty of three years.

Otherwise clearaudio provides the legal warranty of two years.

## **ENGLISH WARRANTY**

For warranty information, contact your local clearaudio distributor.

### **RETAIN YOUR PURCHASE RECEIPT**

Your purchase receipt is your permanent record of a valuable purchase.

It should be kept in a safe place to be referred to as necessary for insurance purposes or when corresponding with clearaudio.

### **IMPORTANT**

When seeking warranty service, it is the responsibility of the consumer to establish proof and date of purchase. Your purchase receipt or invoice is adequate for such proof.

### **FOR U.K. ONLY**

This undertaking is in addition to a consumer's statutory rights and does not affect those rights in any way.

## **FRANCAIS GARANTIE**

Pour des informations sur la garantie, contacter le distributeur local clearaudio.

### **CONSERVER L'ATTESTATION D'ACHAT**

L'attestation d'achat est la preuve permanente d'un achat de valeur. La conserver en lieu sûr pour s'y reporter aux fins d'obtention d'une couverture d'assurance ou dans le cadre de correspondances avec clearaudio.

### **IMPORTANT**

Pour l'obtention d'un service couvert par la garantie, il incombe au client d'établir la preuve de l'achat et d'en corroborer la date. Le reçu ou la facture constituent des preuves suffisantes.

## **DEUTSCH GARANTIE**

Bei Garantiefragen wenden Sie sich bitte zunächst an Ihren clearaudio-Händler.

Heben Sie Ihren Kaufbeleg gut auf.

### **WICHTIG!**

Die Angaben auf Ihrer Quittung erlauben uns die Identifizierung Ihres Gerätes und belegen mit dem Kaufdatum die Dauer Ihrer Garantie-Ansprüche.

Für Serviceleistungen benötigen wir stets die Gerätenummer.

Diese finden Sie auf dem Typenschild auf der Rückseite des Gerätes oder auch in der beigelegten Garantie-Registrierkarte.

## **NEDERLANDS GARANTIE**

Voor inlichtingen omtrent garantie dient u zich tot uw plaatselijke clearaudio.

### **UW KWITANTIE, KASSABON E.D. BEWAREN**

Uw kwitantie, kassabon e.d. vormen uw bewijs van aankoop van een waardevol artikel en dienen op een veilige plaats bewaard te worden voor evt, verwijzing bijv, in verband met verzekering of bij correspondentie met clearaudio.

### **BELANGRIJK**

Bij een evt, beroep op de garantie is het de verantwoordelijkheid van de consument een gedateerd bewijs van aankoop te tonen. Uw kassabon of factuur zijn voldoende bewijs.

## **ITALIANO GARANZIA**

L'apparecchio è coperto da una garanzia di buon funzionamento della durata di un anno, o del periodo previsto dalla legge, a partire dalla data di acquisto comprovata da un documento attestante il nominativo del Rivenditore e la data di vendita. La garanzia sarà prestata con la sostituzione o la riparazione gratuita delle parti difettose.

Non sono coperti da garanzia difetti derivanti da uso improprio, errata installazione, manutenzione effettuata da personale non autorizzato o, comunque, da circostanze che non possano riferirsi a difetti di funzionamento dell'apparecchio. Sono inoltre esclusi dalla garanzia gli interventi inerenti l'installazione e l'allacciamento agli impianti di alimentazione.

Gli apparecchi verranno riparati presso i nostri Centri di Assistenza Autorizzati. Le spese ed i rischi di trasporto sono a carico del cliente. La casa costruttrice declina ogni responsabilità per danni diretti o indiretti provocati dalla inosservanza delle prescrizioni di installazione, uso e manutenzione dettagliate nel presente manuale o per guasti dovuti ad uso continuato a fini professionali.

## **ESPAÑOL GARANTIA**

Para obtener información acerca de la garantía póngase en contacto con su distribuidor clearaudio.

### **GUARDE SU RECIBO DE COMPRA**

Su recibo de compra es su prueba permanente de haber adquirido un aparato de valor, Este recibo deberá guardarlo en un lugar seguro y utilizarlo como referencia cuando tenga que hacer uso del seguro o se ponga en contacto con clearaudio.

### **IMPORTANTE**

Cuando solicite el servicio otorgado por la garantía el usuario tiene la responsabilidad de demostrar cuándo efectuó la compra. En este caso, su recibo de compra será la prueba apropiada.