



Loving music

# Ovation

---

## User manual



**Made in Germany**

Hi-Fi Components **clearaudio electronic** GmbH

Spardorfer Str. 150 • D-91054 Erlangen • Tel. +49(0) 9131/40 300 100 • FAX +49(0) 9131/51683  
[www.clearaudio.de](http://www.clearaudio.de) • [www.analogshop.de](http://www.analogshop.de) • [info@clearaudio.de](mailto:info@clearaudio.de) /clearaudio copyright © 2012

Version-1.4\_12\_03\_08\_E



Loving music

# Ovation

User manual

Dear **clearaudio**-customer,

you have purchased a state-of-the-art turntable, the *Ovation*, a world class product of **clearaudio electronic** GmbH.

Thank you very much for your confidence.

The new **clearaudio** "*Ovation*" turntable includes many existing **clearaudio** innovations and introduces new cutting-edge technology:

The main chassis consists of a complex sandwich of materials: aluminium - bullet-proof-wood - aluminium. Within the precision-machined bullet-proof-wood layer, **clearaudio** have introduced an elaborate resonance damping measure: an internal 'mat' comprising approximately 100.000 tiny stainless steel balls.

The powerful and smooth-running DC motor is integrated within and is effectively decoupled by the main chassis. **clearaudio's** OSC '*Optical Speed Control*' technology continuously monitors a micro infrared strobe to ensure exact speed stability.

The motor is hidden beneath the platter and drives the precision machined aluminium sub-platter via a precision machined POM main platter are supported by **clearaudio's** patented CMB '*Ceramic Magnetic Bearing*'.

The drive system is operated by four blue illuminated buttons, ergonomically integrated into the front left of the chassis.

Almost any commercially available 9 inch tonearm can be fitted by virtue of the easily interchangeable armboards.

The new "*Ovation*" device combines innovative **clearaudio** technologies with elegant design and exquisite production quality.

Please read this user manual carefully so that you can enjoy all advantages of your *Ovation*-turntable. All information given will help to achieve the best set up and avoid any possible damage.

We hope you will enjoy your new **clearaudio** *Ovation* -turntable.

**clearaudio** electronic GmbH

Please read the warnings before connecting your *Ovation* -turntable to the mains supply.

## WARNINGS

- Don't expose your turntable to rain or humidity.
- Don't handle the mains leads with wet hands.
- Don't place or insert anything into the equipment or through ventilation holes.
- No naked flames sources, such as lighted candles, should be placed on the equipment.

## CE-MARKING



The **clearaudio** *Ovation* meets the regulations concerning electromagnetic disturbance (EMC) and low-voltage appliances.

## COPYRIGHT

Recording and reproduction of any material may require the consent of the creator.

Please acknowledge the information given in the

- Copyright Act 1956,
- Dramatic and Musical Performers Act 1958,
- Performers Protection Acts 1963 and 1972,
- any more recent legal regulations.



Loving music

# *Ovation*

User manual

---



**User manual**

**4 – 14**

## **Contents**

|                                |           |
|--------------------------------|-----------|
| <b>1. Packaging overview</b>   | <b>4</b>  |
| <b>2. Set-up and operation</b> | <b>5</b>  |
| <b>3. Service</b>              | <b>12</b> |
| <b>4. Special directions</b>   | <b>13</b> |
| <b>5. Technical data</b>       | <b>14</b> |
| <b>Warranty information</b>    | <b>15</b> |

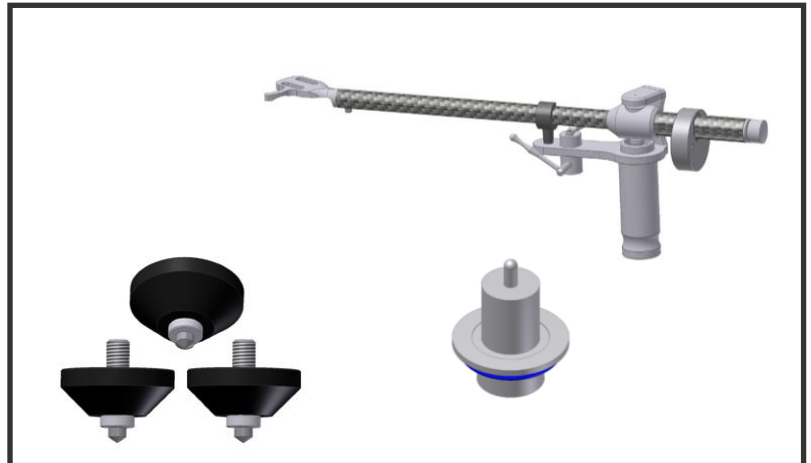
## 1. Packaging overview

The **clearaudio** *Ovation*-turntable is delivered in specially designed custom packaging.

Please check the contents according to the following list before you set up your new **clearaudio** *Ovation* -turntable.

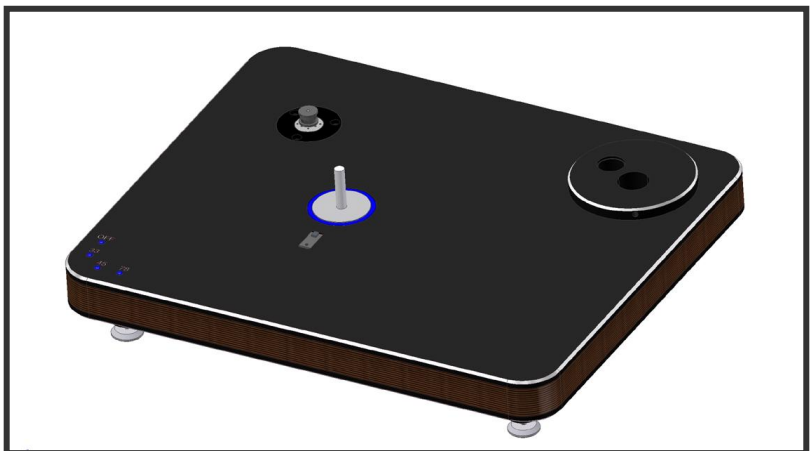
### 1. Layer (top):

**Top of bearing, belt, fittings and accessories (Quality and warranty card, bearing oil)**  
**If ordered as set: tonearm and/or phono cartridge**



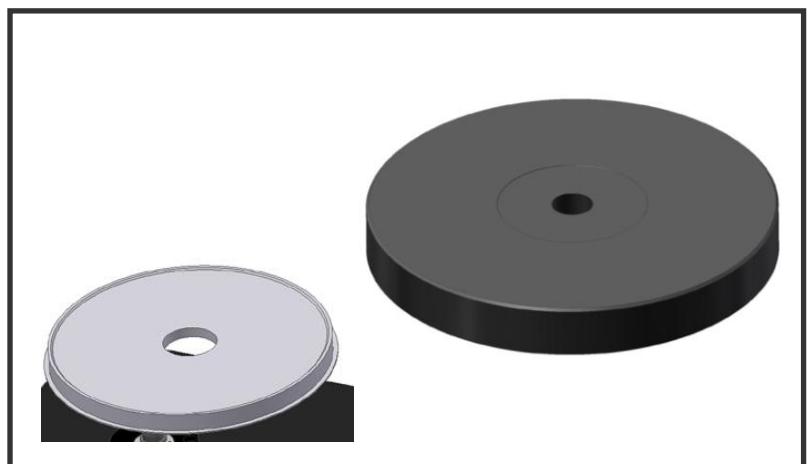
### 2. Layer (middle):

**Turntable - chassis**



### 3. Layer (bottom):

**Platter, aluminium sub-platter**

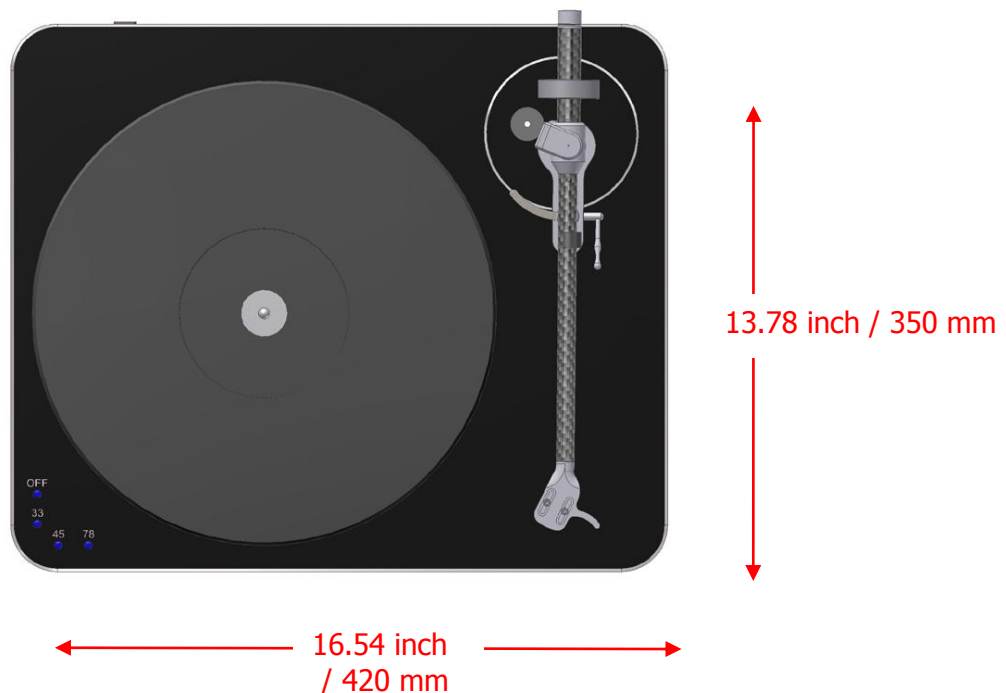


## 2. Set-up and operation

The *Ovation* -turntable consists of several elements, as described in section 1 (Packing overview). To simplify set up some of the components are pre-assembled at the factory. Please make use of the white gloves enclosed in order to avoid scratches or unwanted fingerprints (e.g. on the platter).

Please follow the description step by step:

The *Ovation* requires a space of at least 16.54 inch x 13.78 inch for positioning.



**Pic. 1:** Setting up space

## 2.1

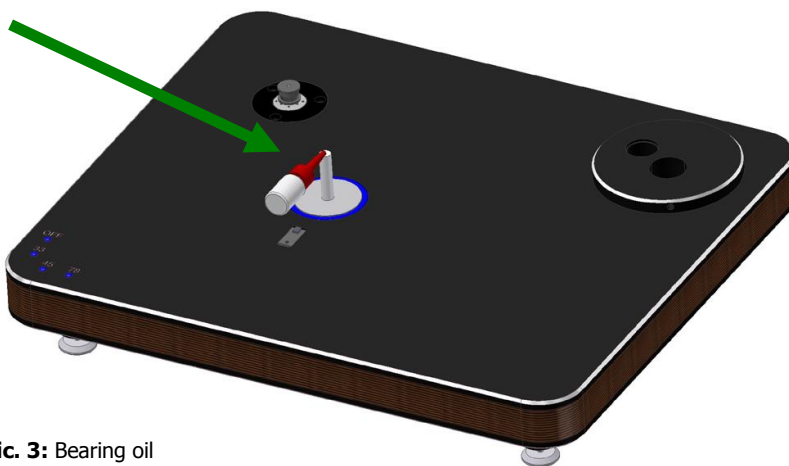
Place the pre-mounted chassis on your hi-fi rack or another suitable base.



**Pic. 2:** Ovation chassis

## 2.2

Please remove the protective seal from the bearing shaft and place two drops of the synthetic bearing oil (also available at: [www.analogshop.de](http://www.analogshop.de)) on the ceramic bearing shaft.



**Pic. 3:** Bearing oil

## 2.3

Very carefully place the upper bearing housing carefully onto the bearing shaft. To avoid damage make sure you slide the upper bearing part slowly and carefully on to the polished ceramic shaft.



**Pic. 4:** Fitting the upper bearing housing

## 2.4

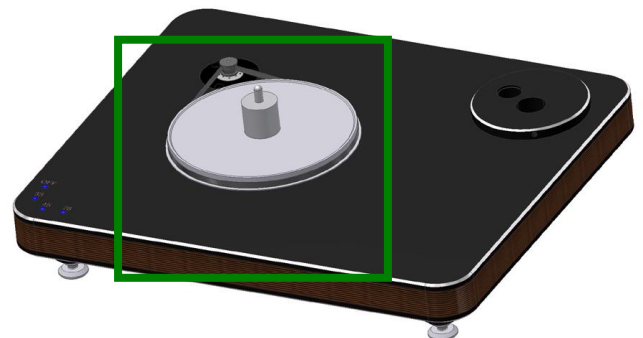
Position the sub-platter carefully onto the bearing. Please remove first the security mat on the underside of the sub-platter (security tape for OSC - graduated collar (Optical Speed Control)).

**To avoid any damage make sure you slide the sub-platter slowly and carefully on to the bearing.**

Next take the supplied belt and position it around the motor and the sub-platter. At this point the sub-platter will be higher than the pulley. This is normal, as the CMB requires the weight of the platter to fully engage it.



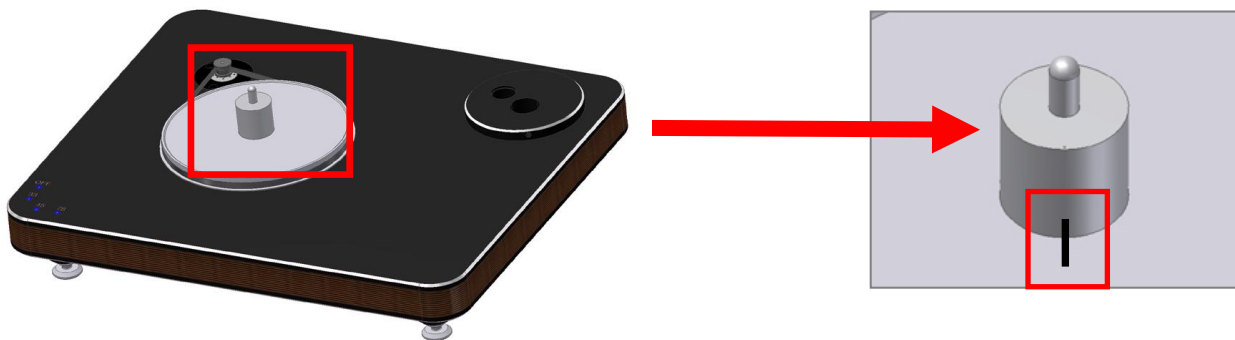
**Pic. 5:** Seating the sub-platter



**Pic. 5.1:** Installing the belt

## Please note:

The marks (dots) on the sub-platter and the top of the bearing have been carefully measured. Please make sure they align exactly as shown in picture below:

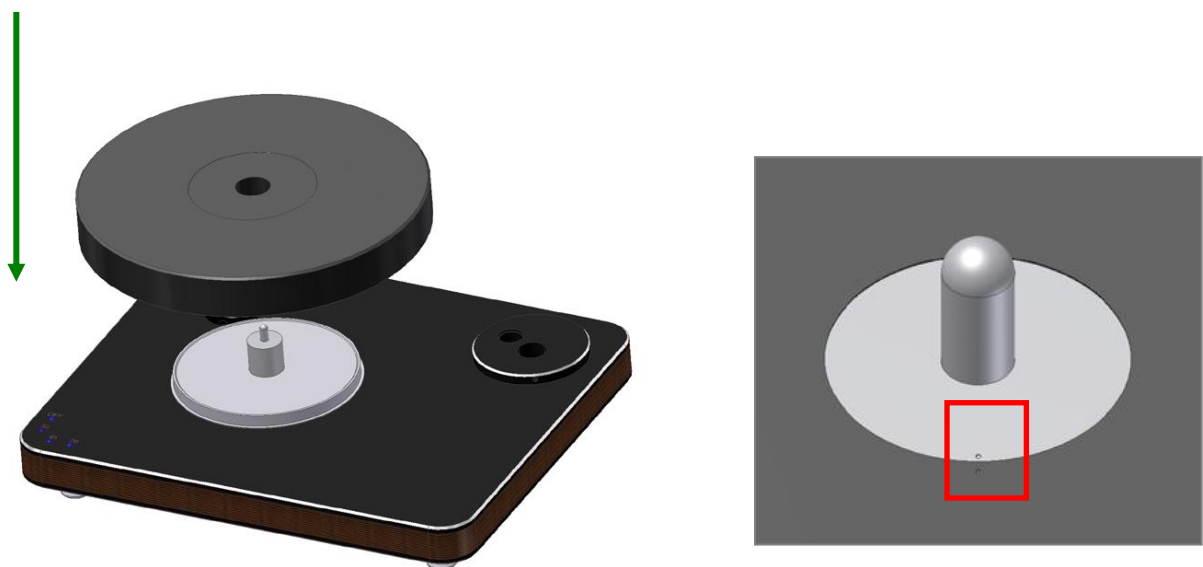


**Pic. 6:** Alignment of sub-platter and bearing markings

## 2.5

Now carefully place the platter onto the bearing. To avoid damage make sure the inverted bearing slides slowly on the bearing shaft. Hold the platter in one hand while with the other is securing the bearing top so it can neither slip and nor fall on the turntable.

Please also make sure they align exactly as shown in picture below.



**Pic. 7:** Seating the platter on to the bearing

**Pic. 7 a:** Alignment of sub-platter and bearing markings

## 2.6

Please check with the bubble level gauge that your *Ovation* turntable is in a levelled position.

You can adjust each of the turntable feet to level the turntable. Best results will only be obtained with the turntable in a completely level situation.

To adjust the height of the turntable loosen the locking nut of the feet (see green box below).



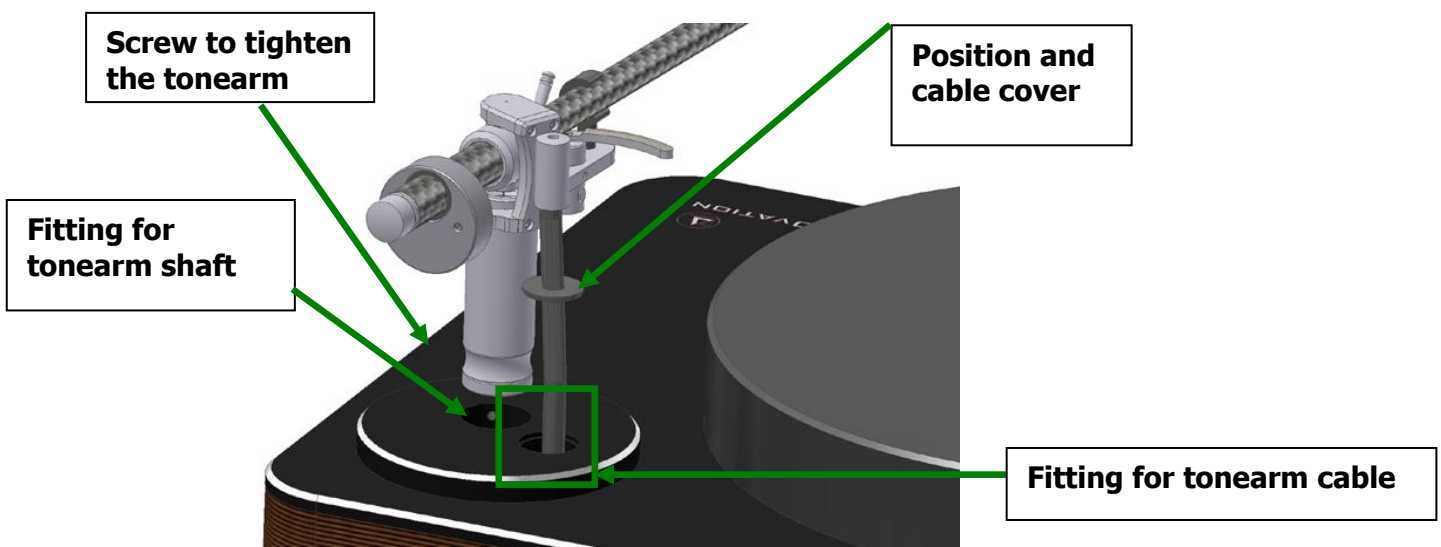
**Pic. 8:** Adjustment of the height



**Pic. 8.1:** Adjustment of the height

## 2.7

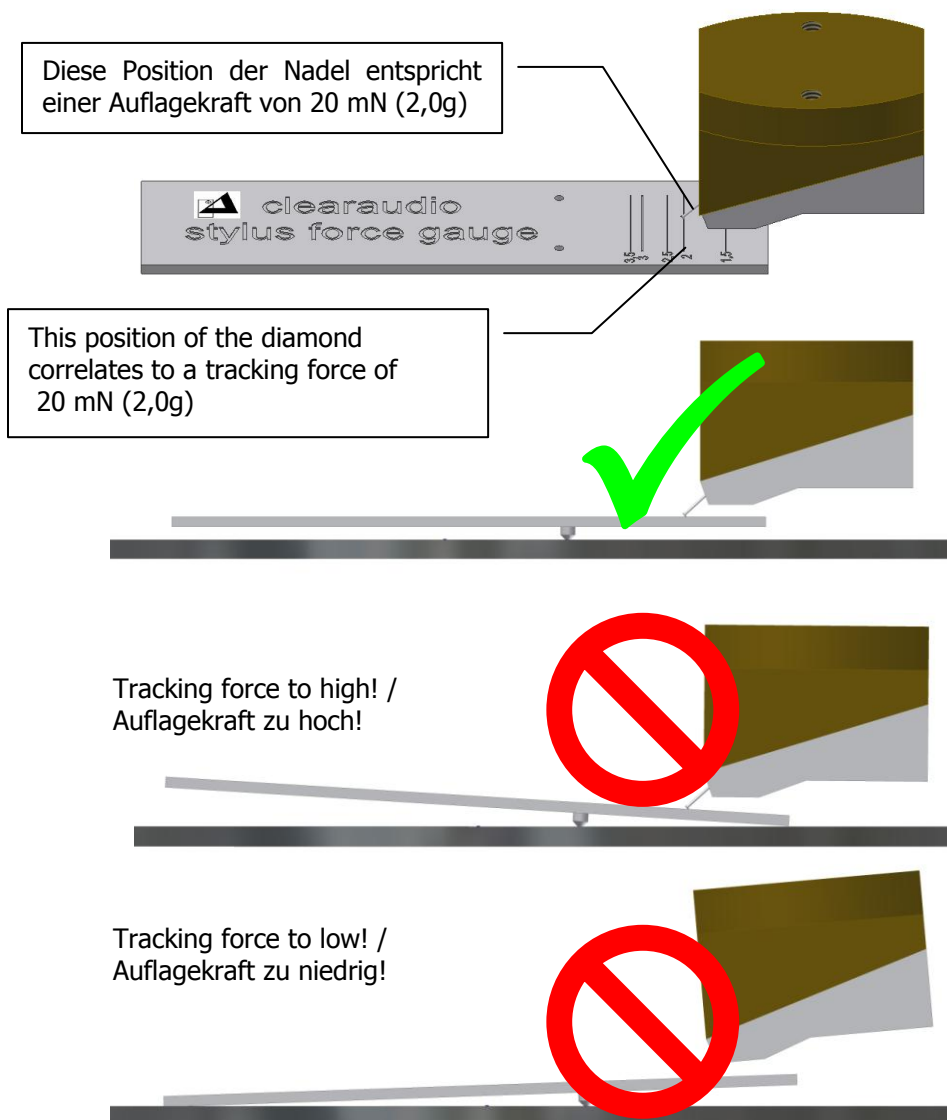
Is the *Ovation* turntable purchased as a package together with the **clearaudio Clarify** tonearm, please proceed with tonearm setting up as described below: \_



**Pic. 9:** Backview of the tonearm

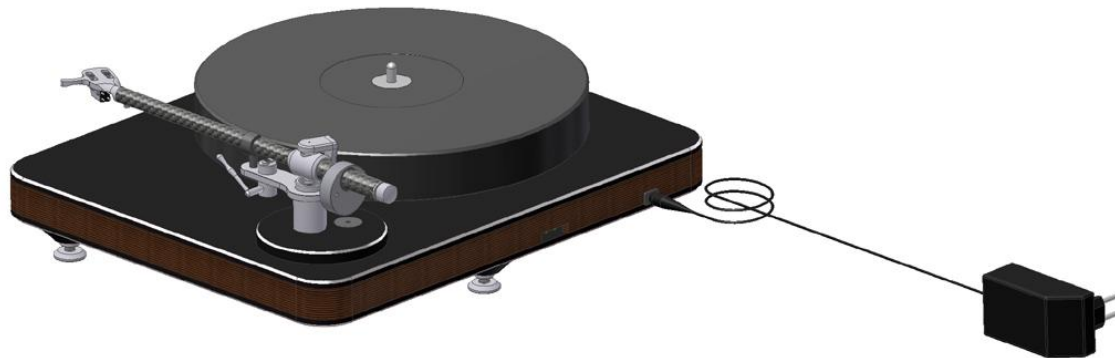
1. Carefully install first the cables trough the smaller fitting in the mounting base until the position and cable cover (attached on the cable) fits in the cutout of the mounting base.
2. Then install the tonearm shaft trough the bigger fitting in the mounting base.
3. Now adjust the height of the tonearm.
4. Finally tighten the tonearm in the mounting base by screwing the integrated screw in the front of the mounting base.
5. For further settings of the tonearm and cartridge mounting please refer to the user manual of the respective manufacturer.

If you purchased your **clearaudio Ovation** turntable as a package with tonearm and cartridge, you will find a Smart Level Gauge in your accessory, which will help you to adjust the Tracking Force of the cartridge:



**Pic. 10:** Use of the Smart Level Gauge

Now you can connect the *Ovation* turntable to the mains supply.



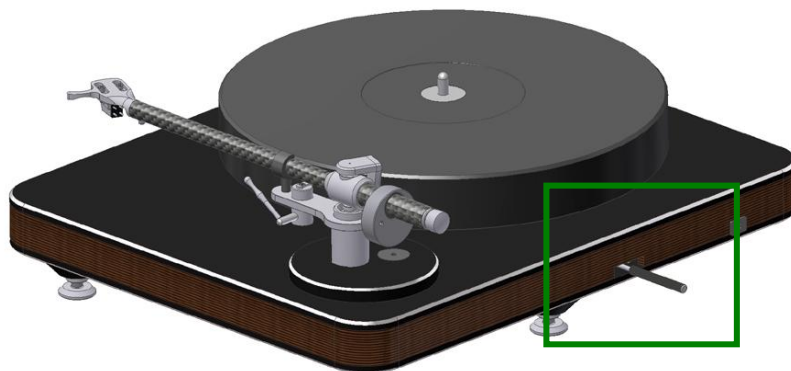
**Pic. 11:** Connection to the mains supply

## 2.8 Fine speed adjustment

The motor adjustment is already pre set at the factory. During transportation or due to contamination on the sensor or the sensor ring some small speed deviations can occur. Please check the speed before using the turntable for the first time.

For the correct adjustment of the speed please put the delivered **clearaudio** Stroboscope Testrecord on the platter. Follow the instruction of the Stroboscope Testrecord user manual. To check the speed with highest accuracy, please use the **clearaudio** Speed Light (AC039) (available under: [www.analogshop.de](http://www.analogshop.de)).

On the rear (close to power supply input) of your turntable there are three setting trimmers:



- right trimmer = setting 33 1/3 rpm (near tonearm)
- middle trimmer = setting 45 rpm
- left trimmer = setting 78 rpm

**Pic. 12:** Fine speed adjustment

If you need to adjust the speed 33 1/3 rpm, take the aluminium screw driver (see accessories) and turn the left trimmer until you have reached the correct speed according to the Stroboscope Testrecord (see user manual "Stroboscope Testrecord").

- Turning the trimmer counter clockwise = reduces the turntable speed
- Turning the trimmer clockwise = raises the turntable speed

Use the same procedure to adjust the speed for 45 rpm and 78 rpm.

**Please note:**

If the turntable does not reach the correct speed, the sensor or the scale ring could be dirty or dusty.

To clean the sensor, very carefully lift off the two platters.

Clean the sensor and the scale ring with a little isopropyl alcohol and a cotton bud.

Be extremely careful to avoid any scratches on the sensor or the scale ring!

If the motor still has speed variations please contact your nearest authorized **clearaudio** dealer or the **clearaudio** factory direct.

Now you are ready to play your vinyl records.

We wish you a lot of pleasure with your new *Ovation* - turntable.



Loving music

# Ovation

User manual

---

## 3. Service

If any service or repair on all **clearaudio** products is necessary, please contact your dealer / distributor or contact **clearaudio** direct. We can inform you about your nearest service location.

### **Transportation advice:**

If any transportation of the *Ovation* - turntable should be necessary, always remove the turntable platter, otherwise serious damage can occur!

The bearing hole needs to be covered to prevent any dust from entering the bearing.

**PLEASE RETAIN ALL ORIGINAL PACKAGING.** You will need it if this unit has to be transported and/or shipped. Any further questions you may have about this turntable should be directed to the distributor or directly to **clearaudio** at

clearaudio electronic GmbH

Spardorfer Str. 150  
91054 Erlangen  
Germany

Tel/Phone: +49-(0)9131/ 40 300 100

Fax: +49-(0)9131/51683

[www.clearaudio.de](http://www.clearaudio.de)

[www.analogshop.de](http://www.analogshop.de)

[info@clearaudio.de](mailto:info@clearaudio.de)



Loving music

# Ovation

User manual

## 4. Special directions

The **clearaudio** *Ovation* does not require any extensive maintenance.

If the *Ovation* turntable is not used for a long time disconnect the motor from the mains supply.

Every two years you can lubricate (only if you will notice speed variations) the bearing of the turntable platter with the supplied oil. In this case it is enough to put 4 or 5 drops of the oil onto the bearing shaft.

Don't use aggressive cleaning fluid for the *Ovation* turntable. A few drops of plastic cleaner is fully enough.

Carefully dry all cleaned parts with a fine cotton cloth.

Please ensure that the chassis parts are only cleaned with plastic cleaning fluids.

**Under no circumstances use spirit or alcohol-based fluids which will cause damage to the surface.**

You will find suitable cleaning fluids either in specialised shops or in the **clearaudio** online shop: [www.analogshop.de](http://www.analogshop.de).

Please check for any damage to the power cord.

Any damage should only be repaired only by authorized personal.

A damaged power cord must be exchanged immediately!

To achieve the full **clearaudio** warranty, it is necessary that you fill out and send the corresponding part of the warranty registration certificate /card back to clearaudio within two weeks (14 days) after purchase. **clearaudio** can provide the warranty only if the product is returned in the original packing.

### **Transportation advice:**

If any transportation of the *Ovation* - turntable should be necessary, always remove the turntable platter, otherwise serious damage can occur!

The bearing hole needs to be covered to prevent any dust from entering the bearing.



## 5. Technical data

|  |  |
|--|--|
| <b>Construction:</b>                     | Resonance-optimised chassis,<br>Recommended tonearm with magnetic bearing technology |
| <b>Operating speeds:</b>                 | 33 1/3, 45 and 78 RPM  |
| <b>Drive unit (motor):</b>               | Decoupled DC motor in chassis, resonance damping device                              |
| <b>Rumble:</b>                           | DIN IEC 98 by method A / 92 dB   |
| <b>Bearing:</b>                          | Polished ceramic shaft in a sintered bronze bushing, magnetic bearing (CMB)          |
| <b>Platter:</b>                          | Black coloured POM, 38 mm thickness  |
| <b>Speed variation:</b>                  | +/- 0.03 %   |
| <b>Weight:</b>                           | Approximately 13.5 kg incl. motor  |
| <b>Dimensions:</b><br>Width/Depth/Height | 420 x 350 x 115 mm<br>16.54 x 13.78 x 4.53 inches                                    |
| <b>Warranty*:</b>                        | 2 years (5* years)   |

\* Only if the warranty card is filled out correctly and send back in time (within 14 days) to **clearaudio**.

**Clearaudio** electronic is not responsible for typographical errors in descriptions.

Technical specifications subject to change or improvement without prior notice.

Availability as long as stock lasts.

Copies and reprints- also only in extracts – require written confirmation from **clearaudio** electronic GmbH;  
Germany © clearaudio electronic GmbH 2012

Version: March 2012



Loving music

# Ovation

User manual

The warranty period for the *Ovation* turntable is 2 years.

To achieve the extended **clearaudio** warranty of 5 years, it is necessary that you fill out and send the corresponding part of the warranty registration certificate /card back to **clearaudio**, within two weeks (14 days) after purchase. Only if the product is returned in the original packing **clearaudio** can provide the warranty of 5 years.

## **ENGLISH WARRANTY**

For warranty information, contact your local clearaudio distributor.

### **RETAIN YOUR PURCHASE RECEIPT**

Your purchase receipt is your permanent record of a valuable purchase.

It should be kept in a safe place to be referred to as necessary for insurance purposes or when corresponding with clearaudio.

### **IMPORTANT**

When seeking warranty service, it is the responsibility of the consumer to establish proof and date of purchase. Your purchase receipt or invoice is adequate for such proof.

### **FOR U.K. ONLY**

This undertaking is in addition to a consumer's statutory rights and does not affect those rights in any way.

## **FRANÇAIS**

### **GARANTIE**

Pour des informations sur la garantie, contacter le distributeur local clearaudio.

### **CONSERVER L'ATTESTATION D'ACHAT**

L'attestation d'achat est la preuve permanente d'un achat de valeur. La conserver en lieu sûr pour s'y reporter aux fins d'obtention d'une couverture d'assurance ou dans le cadre de correspondances avec clearaudio.

### **IMPORTANT**

Pour l'obtention d'un service couvert par la garantie, il incombe au client d'établir la preuve de l'achat et d'en corroborer la date. Le reçu ou la facture constituent des preuves suffisantes.

## **DEUTSCH**

### **GARANTIE**

Bei Garantiefragen wenden Sie sich bitte zunächst an Ihren clearaudio-Händler.

Heben Sie Ihren Kaufbeleg gut auf.

### **WICHTIG!**

Die Angaben auf Ihrer Quittung erlauben uns die Identifizierung Ihres Gerätes und belegen mit dem Kaufdatum die Dauer Ihrer Garantie-Ansprüche.

Für Serviceleistungen benötigen wir stets die Gerätenummer.

Diese finden Sie auf dem Typenschild auf der Rückseite des Gerätes oder auch in der beigefügten Garantie-Registrierte Karte.

## **NEDERLANDS**

### **GARANTIE**

Voor inlichtingen omtrent garantie dient u zich tot uw plaatselijke clearaudio.

### **UW KWITANTIE, KASSABON E.D. BEWAREN**

Uw kwitantie, kassabon e.d. vormen uw bewijs van aankoop van een waardevol artikel en dienen op een veilige plaats bewaard te worden voor evt, verwijzing bijv, in verband met verzekering of bij correspondentie met clearaudio.

### **BELANGRIJK**

Bij een evt, beroep op de garantie is het de verantwoordelijkheid van de consument een gedateerd bewijs van aankoop te tonen. Uw kassabon of factuur zijn voldoende bewijs.

## **ITALIANO**

### **GARANZIA**

L'apparecchio è coperto da una garanzia di buon funzionamento della durata di un anno, o del periodo previsto dalla legge, a partire dalla data di acquisto comprovata da un documento attestante il nominativo del Rivenditore e la data di vendita. La garanzia sarà prestata con la sostituzione o la riparazione gratuita delle parti difettose.

Non sono coperti da garanzia difetti derivanti da uso improprio, errata installazione, manutenzione effettuata da personale non autorizzato o, comunque, da circostanze che non possano riferirsi a difetti di funzionamento dell'apparecchio. Sono inoltre esclusi dalla garanzia gli interventi inerenti l'installazione e l'allacciamento agli impianti di alimentazione.

Gli apparecchi verranno riparati presso i nostri Centri di Assistenza Autorizzati. Le spese ed i rischi di trasporto sono a carico del cliente. La casa costruttrice declina ogni responsabilità per danni diretti o indiretti provocati dalla inosservanza delle prescrizioni di installazione, uso e manutenzione dettagliate nel presente manuale o per guasti dovuti ad uso continuato a fini professionali.

## **ESPAÑOL**

### **GARANTIA**

Para obtener información acerca de la garantía póngase en contacto con su distribuidor clearaudio.

### **GUARDE SU RECIBO DE COMPRA**

Su recibo de compra es su prueba permanente de haber adquirido un aparato de valor. Este recibo deberá guardarlo en un lugar seguro y utilizarlo como referencia cuando tenga que hacer uso del seguro o se ponga en contacto con clearaudio.

### **IMPORTANTE**

Cuando solicite el servicio otorgado por la garantía el usuario tiene la responsabilidad de demostrar cuándo efectuó la compra. En este caso, su recibo de compra será la prueba apropiada.